



## 2017 catalog

For CO<sub>2</sub> and fiber laser consumables

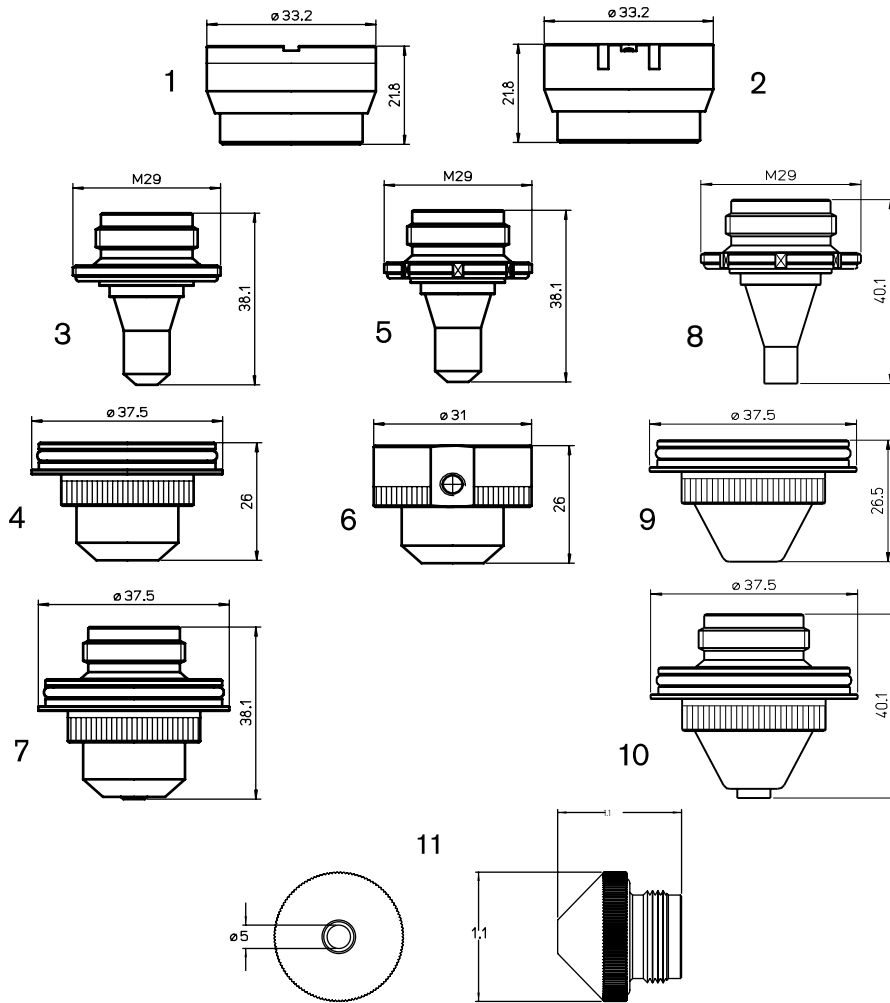
Replacements parts suitable for Tanaka®



## Our value proposition

- Product breadth – with over 2,800 part numbers
- OEM quality/consistency for nozzles, ceramics and optics
- Technical/application support from OEM-trained technicians
- 100% satisfaction guarantee





**Consumables**

	Centricut part number	Reference number	Alternate reference	Description	Pkg qty
1	PT311-0565 <b>Recommended</b>	280565, P0497-605-00001, 29100106	AL40	Nozzle holder - KTM 1.5" DXN - ceramic	1
	PT311-0298	P0497-68871	AL298	Nozzle holder - KTM 1.5" DXN - ceramic	1
2	PT311-11460EM	281146, P0380-211-00001, 29100033	AL130	Nozzle holder - ITM 1.5" DZ - aluminum - OEM	1
	PT311-1146	281146, P0380-211-00001, 29100033	AL130/S	Nozzle holder - ITM 1.5" DZ - aluminum	1
3	TK381-C20E-1	C20E-1	L1200	Nozzle - 2.0 mm	1
	TK381-C20E-25		L1202	Nozzle - 2.5 mm	1
	TK381-C17E-1	C17E-1	L1201	Nozzle - 1.7 mm	1
4	TK381-C20E-0	C20E-2	AL283	Nozzle, outer	1
5	TK364-C15D-1	C15D-1	L1516	Nozzle - 1.5 mm	1
	TK364-C20D-1	C20D-1	L1517	Nozzle - 2.0 mm	1
	TK364-C22D-1	C22D-1	L1518	Nozzle - 2.2 mm	1
6	TK364-C22D-0	C22D-2	AL381	Nozzle, outer	1
7	TK381-C20E-2	C20E	L1205	Nozzle assembly	1
	TK381-C17E-2		L1204	Nozzle assembly C17E	1
8	TK381-CZ20B-1	A546363	L1195	Nozzle - 2.0 mm bevel inner	1
9	TK381-CZ20B-0		AL382	Nozzle - bevel outer	1
10	TK381-CZ20B-2	CZ20B-2	L1207	Nozzle assembly - inner and outer	1
11	TK354-D40	D40		Nozzle - 4.0 mm	1
	TK354-D50	D50		Nozzle - 5.0 mm	1

Centricut is not affiliated with the named manufacturers. Reference to machines, parts, descriptions, and model numbers are for convenience in verifying compatibility only. All parts are made by or for Centricut and are not made by the referenced manufacturers (unless expressly indicated). Centricut is a registered trademark of Hypertherm, Inc. All other trademarks are the properties of their respective owners.



**Optics**

Centricut part number	Reference number	Type	Diameter	Focal length	Edge thickness
<b>Lenses</b>					
TK374-2235	312235	PLX	1.5"	12.5"	.300"
TK374-3478	541344, 263478	PLX	2.0"	8.75"	.310"
TK374-7338	197338	PLX	2.0"	11.25"	.310"
TK374-3827	243827	PLX	2.5"	8.75"	.310"
TK374-6670	236670	PLX	2.5"	10.0"	.390"
TK374-8593	828593	PLX	2.5"	12.5"	.390"
TK374-1592	178937	PLX	2.5"	11.25"	.310"

**Optics care**

Centricut part number	Reference number	Description	Pkg qty
TR300-6452	N/A	Lens cleaning paper, Tiffen – 50 piece	1
AM313-SC50	SC50	Lens cleaning paper, Tresor – 50 piece	1
TR300-1115		Lens cleaning pre-cut cotton – 80 piece	1
TR300-SC20		Cotton swab – 20 piece	1
TR300-1010	AL1010	Dropper, lens cleaning fluid	1
TR300-1112		Optical cleaning fluid	1
TR300-0699	70675699 REVA	Lens Cleaning Swabs (25 pack)	1
TR300-7991	027991	Polyester Wipes 4" x 4"	1
TR301-0282		Injector	1
TR300-LSA		Lens stress analyzer	1
TR300-255	AL255	Loupe, magnifying	1
TR300-271	AL271	Base, lens maintenance	1
TR300-7388	787388	Mirror polish (250 ml)	1

## Technical support

- Our technical service team can answer questions about any laser or plasma cutting system. Whether it's a question about a part, a system, or for guidance on how to optimize performance, our experts can help.
- We stand behind our products with industry-leading technical expertise
- OEM trained technicians on staff with over 25 years experience



**HELPING YOU  
SHAPE THE WORLD.**



PLASMA | LASER | WATERJET | AUTOMATION | SOFTWARE | CONSUMABLES

For more information on Centricut laser products, visit  
[www.hypertherm.com/centricut/laser](http://www.hypertherm.com/centricut/laser)

Hypertherm, Centricut, SilverLine and CoolFlow are trademarks of Hypertherm Inc., and may be registered in the United States and/or other countries. All other trademarks are the property of their respective owners.

One of Hypertherm's long-standing core values is a focus on minimizing our impact on the environment. Doing so is critical to our, and our customers' success. We are always striving to become better environmental stewards; it is a process we care deeply about.

© 12/2016 Hypertherm Inc.



**Hypertherm**<sup>®</sup>  
SHAPING POSSIBILITY™

