

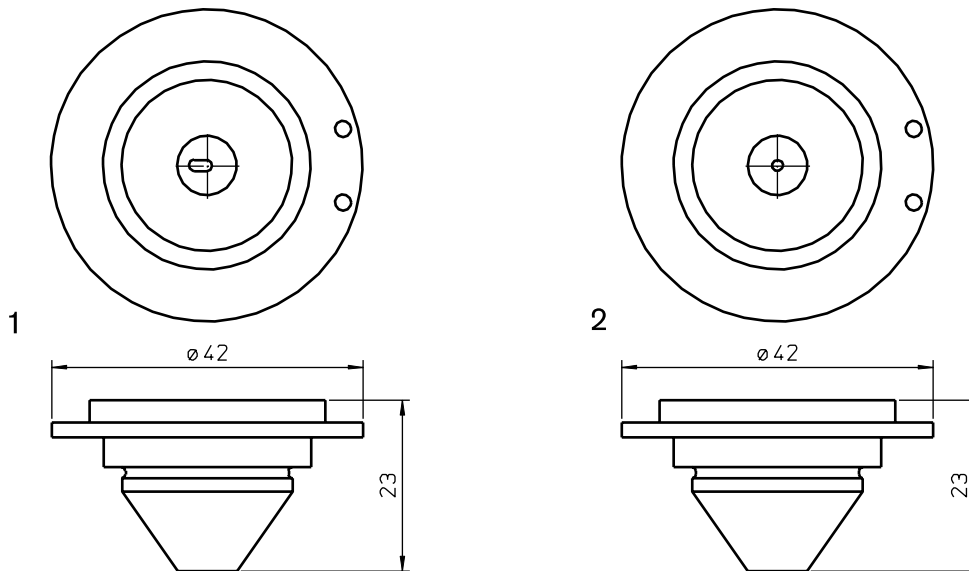


## 2017 catalog

For CO<sub>2</sub> and fiber laser consumables

Replacements parts suitable for Thyssen®





**Consumables**

	Centricut part number	Reference number	Alternate reference	Description	Pkg qty
1	TH424-0002		L1142	Nozzle (w/slot)	1
2	TH424-0001		L1143	Nozzle - 1.5 mm	1

**Optics care**

Centricut part number	Reference number	Description	Pkg qty
TR300-6452	N/A	Lens cleaning paper, Tiffen - 50 piece	1
AM313-SC50	SC50	Lens cleaning paper, Tresor - 50 piece	1
TR300-1115		Lens cleaning pre-cut cotton - 80 piece	1
TR300-SC20		Cotton swab - 20 piece	1
TR300-1010	AL1010	Dropper, lens cleaning fluid	1
TR300-1112		Optical cleaning fluid	1
TR300-0699	70675699 REVA	Lens Cleaning Swabs (25 pack)	1
TR300-7991	027991	Polyester Wipes 4" x 4"	1
TR301-0282		Injector	1
TR300-LSA		Lens stress analyzer	1
TR300-255	AL255	Loupe, magnifying	1
TR300-271	AL271	Base, lens maintenance	1
TR300-7388	787388	Mirror polish (250 ml)	1

## Our value proposition

- Product breadth – with over 2,800 part numbers
- OEM quality/consistency for nozzles, ceramics and optics
- Technical/application support from OEM-trained technicians
- 100% satisfaction guarantee



## Technical support

- Our technical service team can answer questions about any laser or plasma cutting system. Whether it's a question about a part, a system, or for guidance on how to optimize performance, our experts can help.
- We stand behind our products with industry-leading technical expertise
- OEM trained technicians on staff with over 25 years experience



**HELPING YOU  
SHAPE THE WORLD.**



PLASMA | LASER | WATERJET | AUTOMATION | SOFTWARE | CONSUMABLES

For more information on Centricut laser products, visit  
[www.hypertherm.com/centricut/laser](http://www.hypertherm.com/centricut/laser)

Hypertherm, Centricut, SilverLine and CoolFlow are trademarks of Hypertherm Inc., and may be registered in the United States and/or other countries. All other trademarks are the property of their respective owners.

One of Hypertherm's long-standing core values is a focus on minimizing our impact on the environment. Doing so is critical to our, and our customers' success. We are always striving to become better environmental stewards; it is a process we care deeply about.

© 12/2016 Hypertherm Inc.



**Hypertherm**<sup>®</sup>  
SHAPING POSSIBILITY™

