



2017 catalog

For CO₂ and fiber laser consumables

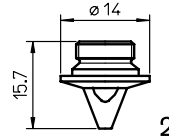
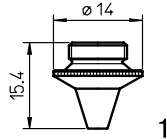
Replacements parts suitable for Precitec®



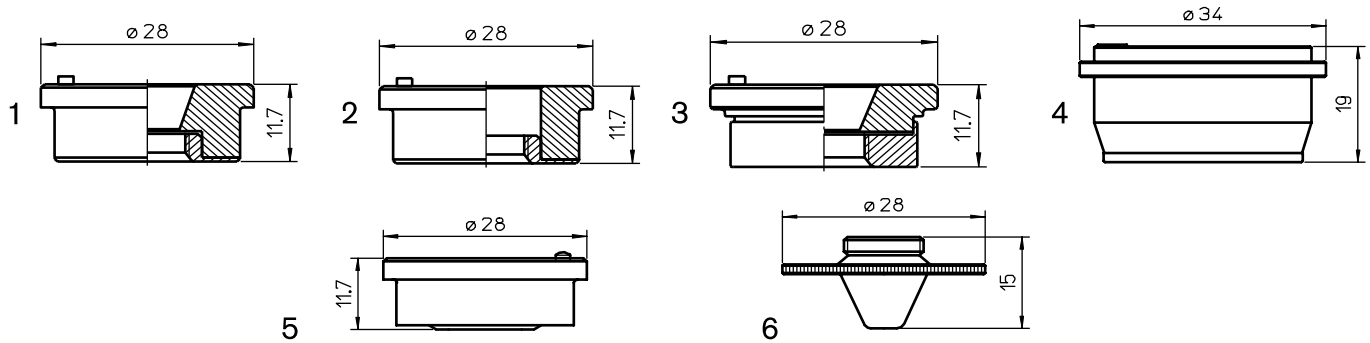
Our value proposition

- Product breadth – with over 2,800 part numbers
- OEM quality/consistency for nozzles, ceramics and optics
- Technical/application support from OEM-trained technicians
- 100% satisfaction guarantee




Consumables

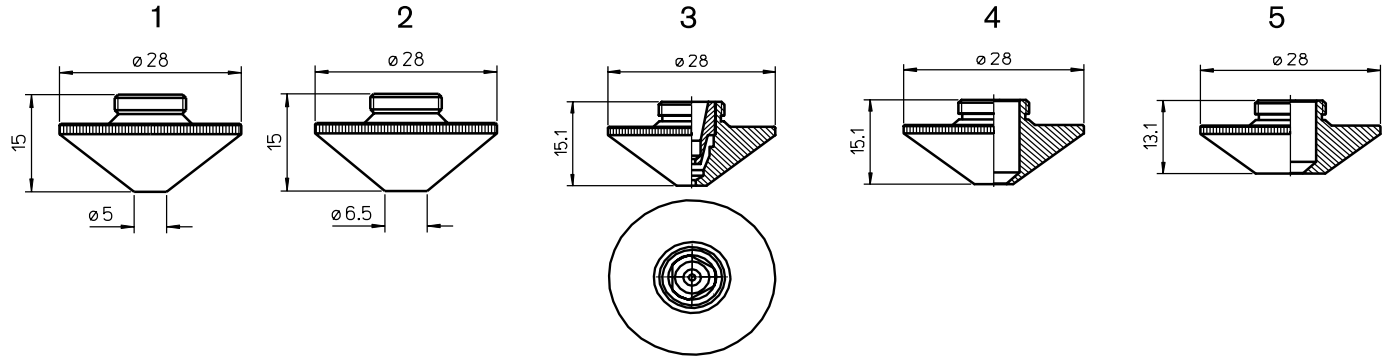
	Centricut part number	Reference number	Alternate reference	Description	Pkg qty
AKK52 – AKH27 – YH27 – YR30 Sensor system					
1	PT344-1813	281813, P0589-424-00008	L405	Nozzle – 0.8 mm	1
	PT344-1813X	281813, P0589-424-00008	L30405	Nozzle – 0.8 mm (10 pack)	10
	PT344-1789	281789, P0589-426-00010	L406	Nozzle – 1.0 mm	1
	PT344-1789X	281789, P0589-426-00010	L30406	Nozzle – 1.0 mm (10 pack)	10
	PT344-1561	281561, 778550	L404	Nozzle – 1.2 mm	1
	PT344-1561X	281561, 778550	L30404	Nozzle – 1.2 mm (10 pack)	10
	PT344-1499	281814, 149957	L407	Nozzle – 1.5 mm	1
	PT344-1499X	281814, 149957	L30407	Nozzle – 1.5 mm (10 pack)	10
	PT344-0020	P0589-428-00020	L408	Nozzle – 2.0 mm	1
	PT344-0020X	P0589-428-00020	L30408	Nozzle – 2.0 mm (10 pack)	10
	PT344-1791	281791		Nozzle – 2.5 mm	1
	PT344-1813CP	281813, P0589-424-00008	L405X	Nozzle – 0.8 mm CP	1
	PT344-1813CPX	281813, P0589-424-00008	L30405X	Nozzle – 0.8 mm CP (10 pack)	10
	PT344-1789CP	281789, P0589-426-00010	L406X	Nozzle – 1.0 mm CP	1
	PT344-1789CPX	281789, P0589-426-00010	L30406X	Nozzle – 1.0 mm CP (10 pack)	10
	PT344-1561CP	281561, 778550, P0589-425-00012	L404X	Nozzle – 1.2 mm CP	1
	PT344-1561CPX	281561, 778550	L30404X	Nozzle – 1.2 mm CP (10 pack)	10
	PT344-1499CP	281814, 149957	L407X	Nozzle – 1.5 mm CP	1
	PT344-1499CPX	281814, 149957	L30407X	Nozzle – 1.5 mm CP (10 pack)	10
	PT344-0020CP	P0589-428-00020	L408X	Nozzle – 2.0 mm CP	1
PT344-0020CPX	P0589-428-00020	L30408X	Nozzle – 2.0 mm CP (10 pack)	10	
YK52 Sensor system					
2	PT391-0010	281498, P0587-722-00010	L800	Nozzle – 1.0 mm	1
	PT391-0010X	281498, P0587-722-00010	L30800	Nozzle – 1.0 mm (10 pack)	10
	PT391-0012	P0587-723-00012	L801	Nozzle – 1.2 mm	1
	PT391-0012X	P0587-723-00012	L30801	Nozzle – 1.2 mm (10 pack)	10
	PT391-0015	281497, P0587-721-00015	L802	Nozzle – 1.5 mm	1
	PT391-0015X	281497, P0587-721-00015	L30802	Nozzle – 1.5 mm (10 pack)	10
	PT391-0018	281516, P0587-737-00018	L803	Nozzle – 1.8 mm	1
	PT391-0018X	281516, P0587-737-00018	L30803	Nozzle – 1.8 mm (10 pack)	10
	PT391-0020	281567, P0587-771-00020	L804	Nozzle – 2.0 mm	1
	PT391-0020X	281567, P0587-771-00020	L30804	Nozzle – 2.0 mm (10 pack)	10
	PT391-0025	P0587-772-00025	L805	Nozzle – 2.5 mm	1
	PT391-0025X	P0587-772-00025	L30805	Nozzle – 2.5 mm (10 pack)	10


Consumables

	Centricut part number	Reference number	Alternate reference	Description	Pkg qty
1	PT348-1051	P0571-1051-00001	AL355	Nozzle holder - OEM KT B2"	1
	PT348-1052 Recommended	P0571-1051-00001	AL495	Nozzle holder KT B2 Con	1
	PT348-1053	P0571-1051-00001	AL380	Nozzle holder KT B2 Con	1
2	PT348-1330 Recommended	281330, P0571-260-00001	AL131	Nozzle holder - ceramic	1
	PT348-0260	P0571-260-00001	AL421	Nozzle holder KT B2 Cyl	1
	PT348-1330OEM	281330, P0571-260-00001	AL23	Nozzle holder - ceramic (OEM)	1
3	PT348-1330C	P0571-260-00001	AL331	Nozzle holder - ceramic	1
4	PT348-1001		AL228	Nozzle holder	1
5	PT348-1518	281518, P0571-265-00001	AL141	Nozzle holder - IT B2" Z - aluminum	1
6	PT350-1590	281590, P0591-569-00008	L247	Nozzle - 0.8 mm	1
	PT350-1590X	281590, P0591-569-00008	L30247	Nozzle - 0.8 mm (10 pack)	10
	PT350-1331	281331, P0591-561-00010	L162	Nozzle - 1.0 mm	1
	PT350-1331X	281331, P0591-561-00010	L30162	Nozzle - 1.0 mm (10 pack)	10
	PT350-1351	281351, P0591-562-00012	L130	Nozzle - 1.2 mm	1
	PT350-1351X	281351, P0591-562-00012	L30130	Nozzle - 1.2 mm (10 pack)	10
	PT350-1352	281352, P0591-563-00015	L131	Nozzle - 1.5 mm	1
	PT350-1352X	281352, P0591-563-00015	L30131	Nozzle - 1.5 mm (10 pack)	10
	PT350-0017		L248	Nozzle - 1.7 mm	1
	PT350-0017X		L30248	Nozzle - 1.7 mm (10 pack)	10
	PT350-1353	281353, P0591-564-00018	L153	Nozzle - 1.8 mm	1
	PT350-1353X	281353, P0591-564-00018	L30153	Nozzle - 1.8 mm (10 pack)	10
	PT350-1354	281354, P0591-565-00020	L132	Nozzle - 2.0 mm	1
	PT350-1354X	281354, P0591-565-00020	L30132	Nozzle - 2.0 mm (10 pack)	10
	PT350-0023		L154	Nozzle - 2.3 mm	1
	PT350-0023X		L30154	Nozzle - 2.3 mm (10 pack)	10
	PT350-1591	281591, P0591-566-00025	L155	Nozzle - 2.5 mm	1
	PT350-1591X	281591, P0591-566-00025	L30155	Nozzle - 2.5 mm (10 pack)	10
	PT350-0249		L249	Nozzle - 2.7 mm	1
	PT350-0249X		L30249	Nozzle - 2.7 mm (10 pack)	10
	PT350-0030		L156	Nozzle - 3.0 mm	1
	PT350-0030X		L30156	Nozzle - 3.0 mm (10 pack)	10
	PT350-1590CP	281590, P0591-569-00008	L247X	Nozzle - 0.8 mm CP	1
	PT350-1590CPX	281590, P0591-569-00008	L30247X	Nozzle - 0.8 mm CP (10 pack)	10
	PT350-1331CP	281331, P0591-561-00010	L162X	Nozzle - 1.0 mm CP	1
	PT350-1331CPX	281331, P0591-561-00010	L30162X	Nozzle - 1.0 mm CP (10 pack)	10
	PT350-1351CP	281351, P0591-562-00012	L130X	Nozzle - 1.2 mm CP	1
	PT350-1351CPX	281351, P0591-562-00012	L30130X	Nozzle - 1.2 mm CP (10 pack)	10
	PT350-1352CP	281352, P0591-563-00015	L131X	Nozzle - 1.5 mm CP	1
	PT350-1352CPX	281352, P0591-563-00015	L30131X	Nozzle - 1.5 mm CP (10 pack)	10
	PT350-0001CP		L248X	Nozzle - 1.7 mm CP	1
	PT350-0001CPX		L30248X	Nozzle - 1.7 mm CP (10 pack)	10

Consumables

	Centricut part number	Reference number	Alternate reference	Description	Pkg qty
6	PT350-1353CP	281353, P0591-564-00018	L153X	Nozzle - 1.8 mm CP	1
	PT350-1353CPX	281353, P0591-564-00018	L30153X	Nozzle - 1.8 mm CP (10 pack)	10
	PT350-1354CP	281354, P0591-565-00020	L132X	Nozzle - 2.0 mm CP	1
	PT350-1354CPX	281354, P0591-565-00020	L30132X	Nozzle - 2.0 mm CP (10 pack)	10
	PT350-0002CP		L154X	Nozzle - 2.3 mm CP	1
	PT350-0002CPX		L30154X	Nozzle - 2.3 mm CP (10 pack)	10
	PT350-1591CP	281591, P0591-566-00025	L155X	Nozzle - 2.5 mm CP	1
	PT350-1591CPX	281591, P0591-566-00025	L30155X	Nozzle - 2.5 mm CP (10pack)	10
	PT350-0249CP		L249X	Nozzle - 2.7 mm CP	1
	PT350-0249CPX		L30249X	Nozzle - 2.7 mm CP (10 pack)	10
	PT350-0003CP		L156X	Nozzle - 3.0 mm CP	1
	PT350-0003CPX		L30156X	Nozzle - 3.0 mm CP (10 pack)	10

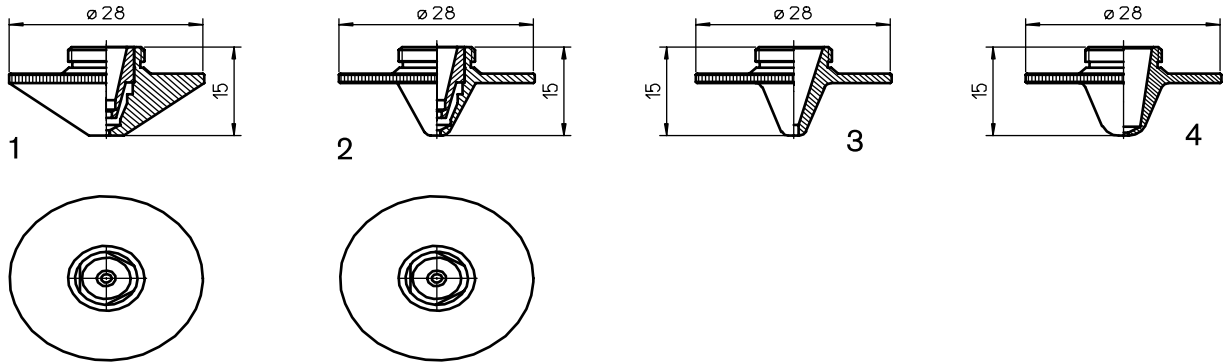

Consumables

	Centricut part number	Reference number	Alternate reference	Description	Pkg qty
	PT345-0008		L935	Nozzle - 0.8 mm HD	1
	PT345-0008X		L30935	Nozzle - 0.8 mm HD (10 pack)	10
	PT345-1548	281548, P0591-571-00010	L234	Nozzle - 1.0 mm HD	1
	PT345-1548X		L30234	Nozzle - 1.0 mm HD (10 pack)	10
	PT345-1549	281549, P0591-572-00012	L235	Nozzle - 1.2 mm HD	1
	PT345-1549X		L30235	Nozzle - 1.2 mm HD (10 pack)	10
	PT345-1555	NEW	L824	Nozzle - 1.4 mm HD	1
	PT345-1555X	NEW	L30824	Nozzle - 1.4 mm HD (10 pack)	10
	PT345-1463	281463, P0591-573-00015	L236	Nozzle - 1.5 mm HD	1
	PT345-1463X		L30236	Nozzle - 1.5 mm HD (10 pack)	10
	PT345-0001	P0591-574-00018	L237	Nozzle - 1.8 mm HD	1
	PT345-0001X		L30237	Nozzle - 1.8 mm HD (10 pack)	10
	PT345-1550	281550, P0591-575-00020	L238	Nozzle - 2.0 mm HD	1
	PT345-1550X		L30238	Nozzle - 2.0 mm HD (10 pack)	10
	PT345-0003		L239	Nozzle - 2.3 mm HD	1
	PT345-0003X		L30239	Nozzle - 2.3 mm HD (10 pack)	10
	PT345-1551	281551, P0591-576-00025	L240	Nozzle - 2.5 mm HD	1
	PT345-1551X		L30240	Nozzle - 2.5 mm HD (10 pack)	10
	PT345-1552		L936	Nozzle - 2.75 mm HD	1
	PT345-1552X		L30936	Nozzle - 2.75 mm HD (10 pack)	10
	PT345-0002		L241	Nozzle - 3.0 mm HD	1
	PT345-0002X		L30241	Nozzle - 3.0 mm HD (10 pack)	10
	PT345-0005		L826	Nozzle - 3.2 mm HD	1
	PT345-0005X		L30826	Nozzle - 3.2 mm HD (10 pack)	10
	PT345-0006		L827	Nozzle - 3.5 mm HD	1
	PT345-0006X		L30827	Nozzle - 3.5 mm HD (10 pack)	10
	PT345-0004		L828	Nozzle - 4.0 mm HD	1
	PT345-0004X		L30828	Nozzle - 4.0 mm HD (10 pack)	10
	PT345-0007		L829	Nozzle - 4.5 mm HD	1
	PT345-0007X		L30829	Nozzle - 4.5 mm HD (10 pack)	10
	PT345-1547CP		L935X	Nozzle - 0.8 mm HD CP	1
	PT345-1547CPX		L30935X	Nozzle - 0.8 mm HD CP (10 pack)	10
	PT345-1548CP	281548, P0591-571-00010	L234X	Nozzle - 1.0 mm HD CP	1
	PT345-1548CPX	281548, P0591-571-00010	L30234X	Nozzle - 1.0 mm HD CP (10 pack)	10
	PT345-1549CP	281549, P0591-572-00012	L235X	Nozzle - 1.2 mm HD CP	1
	PT345-1549CPX	281549, P0591-572-00012	L30235X	Nozzle - 1.2 mm HD CP (10 pack)	10
	PT345-1555CP	NEW	L824X	Nozzle - 1.4 mm HD CP	1
	PT345-1555CPX	NEW	L30824X	Nozzle - 1.4 mm HD CP (10 pack)	10
	PT345-1463CP	281463, P0591-573-00015	L236X	Nozzle - 1.5 mm HD CP	1
	PT345-1463CPX	281463, P0591-573-00015	L30236X	Nozzle - 1.5 mm HD CP (10 pack)	10
	PT345-0001CP		L237X	Nozzle - 1.8 mm HD CP	1
	PT345-0001CPX		L30237X	Nozzle - 1.8 mm HD CP (10 pack)	10
	PT345-1550CP	281550, P0591-575-00020	L238X	Nozzle - 2.0 mm HD CP	1
	PT345-1550CPX	281550, P0591-575-00020	L30238X	Nozzle - 2.0 mm HD CP (10 pack)	10
	PT345-0003CP		L239X	Nozzle - 2.3 mm HD CP	1
	PT345-0003CPX		L30239X	Nozzle - 2.3 mm HD CP (10 pack)	10

Centricut is not affiliated with the named manufacturers. Reference to machines, parts, descriptions, and model numbers are for convenience in verifying compatibility only. All parts are made by or for Centricut and are not made by the referenced manufacturers (unless expressly indicated). Centricut is a registered trademark of Hypertherm, Inc. All other trademarks are the properties of their respective owners.

Consumables

	Centricut part number	Reference number	Alternate reference	Description	Pkg qty
1	PT345-1551CP	281551, P0591-576-00025	L240X	Nozzle - 2.5 mm HD CP	1
	PT345-1551CPX	281551, P0591-576-00025	L30240X	Nozzle - 2.5 mm HD CP (10 pack)	10
	PT345-1552CP		L936X	Nozzle - 2.75 mm HD CP	1
	PT345-1552CPX		L30936X	Nozzle - 2.75 mm HD CP (10 pack)	10
	PT345-0002CP		L241X	Nozzle - 3.0 mm HD CP	1
	PT345-0002CPX		L30241X	Nozzle - 3.0 mm HD CP (10 pack)	10
	PT345-0005CP		L826X	Nozzle - 3.2 mm HD CP	1
	PT345-0005CPX		L30826X	Nozzle - 3.2 mm HD CP (10 pack)	10
	PT345-0006CP		L827X	Nozzle - 3.5 mm HD CP	1
	PT345-0006CPX		L30827X	Nozzle - 3.5 mm HD CP (10 pack)	10
	PT345-0004CP		L828X	Nozzle - 4.0 mm HD CP	1
	PT345-0004CPX		L30828X	Nozzle - 4.0 mm HD CP (10 pack)	10
	PT345-0007CP		L829X	Nozzle - 4.5 mm HD CP	1
	PT345-0007CPX		L30829X	Nozzle - 4.5 mm HD CP (10 pack)	10
2	PT345-1936	NEW	L1936	Nozzle - 4.0 mm HD Large Head	1
	PT345-1936X	NEW	L301936	Nozzle - 4.0 mm HD Large Head (10 pack)	10
	PT345-1937	NEW	L1937	Nozzle - 4.5 mm HD Large Head	1
	PT345-1937X	NEW	L301937	Nozzle - 4.5 mm HD Large Head (10 pack)	10
	PT345-0830		L830	Nozzle - 5.0 mm HD	1
	PT345-0830X		L30830	Nozzle - 5.0 mm HD (10 pack)	10
	PT345-1936CP	NEW	L1936X	Nozzle - 4.0 mm HD CP Large Head	1
	PT345-1936CPX	NEW	L301936X	Nozzle - 4.0 mm HD CP Large Head (10 pack)	10
	PT345-1937CP	NEW	L1937X	Nozzle - 4.5 mm HD CP Large Head	1
	PT345-1937CPX	NEW	L301937X	Nozzle - 4.5 mm HD CP Large Head (10 pack)	10
	PT345-0830CP		L830X	Nozzle - 5.0 mm HD CP	1
PT345-0830CPX		L30830X	Nozzle - 5.0 mm HD CP (10 pack)	10	
3	PT345-0050	06283300050	L1701	Nozzle - 1.5 mm double	1
	PT345-0060	06283300060	L1702	Nozzle - 2.0 mm double	1
	PT345-0070	06283300070	L1703	Nozzle - 2.5 mm double	1
	PT345-0080	06283300080	L1704	Nozzle - 3.0 mm double	1
	PT345-0090	06283300090	L1705	Nozzle - 3.5 mm double	1
	PT345-0100	06283300100	L1706	Nozzle - 4.0 mm double	1
	PT345-0110	06283300110	L1707	Nozzle - 4.5 mm double	1
4	PT345-0180	06283300180	L1692	Nozzle - 4.0 mm	1
	PT345-0120	06283300120	L1696	Nozzle - 5.0 mm	1
5	PT345-0210	06283300210	L1693	Nozzle - 4.0 mm	1
	PT345-0190	06283300190	L1697	Nozzle - 5.0 mm	1


Consumables

	Centricut part number	Reference number	Alternate reference	Description	Pkg qty
	PT358-0669	Centricut design	L669	Nozzle - 0.8 mm double	1
	PT358-0669X	Centricut design	L30669	Nozzle - 0.8 mm double (10 pack)	10
	PT358-0691	Centricut design	L691	Nozzle - 0.9 mm double	1
	PT358-0691X	Centricut design	L30691	Nozzle - 0.9 mm double (10 pack)	10
	PT358-0010	Centricut design	L660	Nozzle - 1.0 mm double	1
	PT358-0010X	Centricut design	L30660	Nozzle - 1.0 mm double (10 pack)	10
	PT358-0112	Centricut design	L661-12	Nozzle - 1.2 mm double w/1.2 mm inner	1
	PT358-0112X	Centricut design	L30661-12	Nozzle - 1.2 mm double w/1.2 mm inner (10 pack)	10
	PT358-0125	P0591-002-00012	L661	Nozzle - 1.2 mm double	1
	PT358-0125X	P0591-002-00012	L30661	Nozzle - 1.2 mm double (10 pack)	10
	PT358-0124 NEW		L672	Nozzle - 1.4 mm double w/1.5 mm inner	1
	PT358-0124X NEW		L30672	Nozzle - 1.4 mm double w/1.5 mm inner (10 pack)	10
	PT358-0015	P0591-002-00015	L662	Nozzle - 1.5 mm double	1
	PT358-0015X	P0591-002-00015	L30662	Nozzle - 1.5 mm double (10 pack)	10
	PT358-0018	P0591-002-00018	L663	Nozzle - 1.8 mm double	1
	PT358-0018X	P0591-002-00018	L30663	Nozzle - 1.8 mm double (10 pack)	10
	PT358-0020	P0591-002-00020	L664	Nozzle - 2.0 mm double	1
	PT358-0020X	P0591-002-00020	L30664	Nozzle - 2.0 mm double (10 pack)	10
	PT358-0418	Centricut design	L664-18	Nozzle - 2.0 mm double w/1.8 mm inner	1
	PT358-0418X	Centricut design	L30664-18	Nozzle - 2.0 mm double w/1.8 mm inner (10 pack)	10
1	PT358-0420	Centricut design	L664-20	Nozzle - 2.0 mm w/2.0 inner double	1
	PT358-0420X	Centricut design	L30664-20	Nozzle - 2.0 mm w/2.0 inner double (10 pack)	10
	PT358-0620 NEW	Centricut design	L666-20	Nozzle - 2.5 mm w/2.0 inner double	1
	PT358-0620X	Centricut design	L30666-20	Nozzle - 2.5 mm w/2.0 inner double (10 pack)	10
	PT358-0720	Centricut design	L667-20	Nozzle - 3.0 mm w/2.0 inner double	1
	PT358-0720X	Centricut design	L30667-20	Nozzle - 3.0 mm w/2.0 inner double (10 pack)	10
	PT358-0023	Centricut design	L665	Nozzle - 2.3 mm double	1
	PT358-0023X	Centricut design	L30665	Nozzle - 2.3 mm double (10 pack)	10
	PT358-0007	Centricut design	L666	Nozzle - 2.5 mm double	1
	PT358-0007X	Centricut design	L30666	Nozzle - 2.5 mm double (10 pack)	10
	PT358-0030	Centricut design	L667	Nozzle - 3.0 mm double	1
	PT358-0030X	Centricut design	L30667	Nozzle - 3.0 mm double (10 pack)	10
	PT358-0035	Centricut design	L668	Nozzle - 3.5 mm double	1
	PT358-0035X	Centricut design	L30668	Nozzle - 3.5 mm double (10 pack)	10
	PT358-0008CP	Centricut design	L669X	Nozzle - 0.8 mm double CP	1
	PT358-0008CPX	Centricut design	L30669X	Nozzle - 0.8 mm double CP (10 pack)	10
	PT358-0691CP	Centricut design	L691X	Nozzle - 0.9 mm double CP	1
	PT358-0691CPX	Centricut design	L30691X	Nozzle - 0.9 mm double CP (10 pack)	10
	PT358-0010CP	Centricut design	L660X	Nozzle - 1.0 mm double CP	1
	PT358-0010CPX	Centricut design	L30660X	Nozzle - 1.0 mm double CP (10 pack)	10
	PT358-0125CP	Centricut design	L661X	Nozzle - 1.2 mm double CP	1
	PT358-0125CPX	Centricut design	L30661X	Nozzle - 1.2 mm double CP (10 pack)	10

Consumables

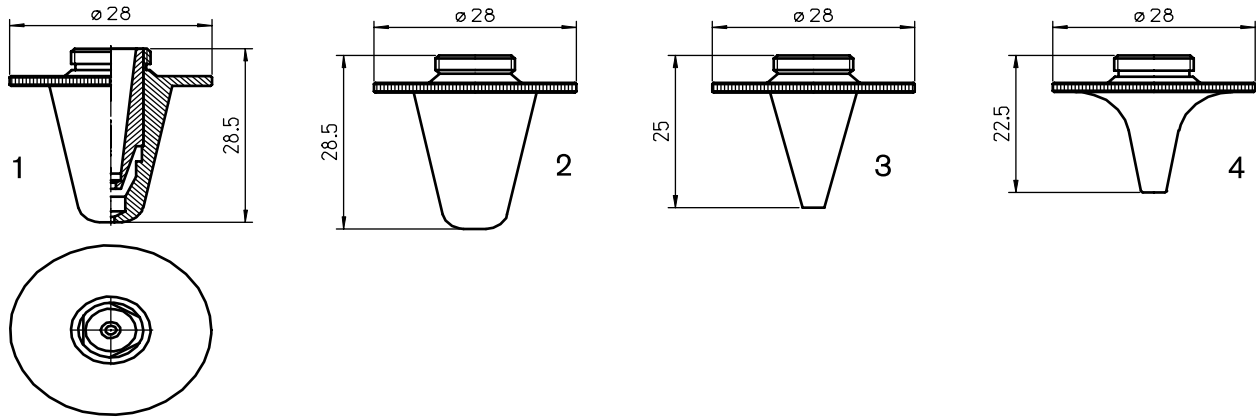
	Centricut part number	Reference number	Alternate reference	Description	Pkg qty
	PT358-0124CP NEW		L672X	Nozzle - 1.4 mm double CP w/1.5 mm inner	1
	PT358-0124CPX NEW		L30672X	Nozzle - 1.4 mm double CP w/1.5 mm inner (10 pack)	10
	PT358-0692	Centricut design	L692	Nozzle - 1.1 mm double	1
	PT358-0692X	Centricut design	L30692	Nozzle - 1.1 mm double (10 pack)	10
	PT358-0692CP	46603350511	L692X	Nozzle - 1.1 mm double CP	1
	PT358-0692CPX	46603350511	L30692X	Nozzle - 1.1 mm double CP (10 pack)	10
	PT358-0015CP	Centricut design	L662X	Nozzle - 1.5 mm double CP	1
	PT358-0015CPX	Centricut design	L30662X	Nozzle - 1.5 mm double CP (10 pack)	10
	PT358-0018CP	Centricut design	L663X	Nozzle - 1.8 mm double CP	1
	PT358-0018CPX	Centricut design	L30663X	Nozzle - 1.8 mm double CP (10 pack)	10
	PT358-0020CP	Centricut design	L664X	Nozzle - 2.0 mm double CP	1
	PT358-0020CPX	Centricut design	L30664X	Nozzle - 2.0 mm double CP (10 pack)	10
	PT358-0023CP	Centricut design	L665X	Nozzle - 2.3 mm double CP	1
	PT358-0023CPX	Centricut design	L30665X	Nozzle - 2.3 mm double CP (10 pack)	10
	PT358-0025CP	Centricut design	L666X	Nozzle - 2.5 mm double CP	1
	PT358-0025CPX	Centricut design	L30666X	Nozzle - 2.5 mm double CP (10 pack)	10
	PT358-0030CP	Centricut design	L667X	Nozzle - 3.0 mm double CP	1
	PT358-0030CPX	Centricut design	L30667X	Nozzle - 3.0 mm double CP (10 pack)	10
	PT358-0035CP	Centricut design	L668X	Nozzle - 3.5 mm double CP	1
	PT358-0035CPX	Centricut design	L30668X	Nozzle - 3.5 mm double CP (10 pack)	10
1	PT358-0040	Centricut design	L840	Nozzle - 4.0 mm double	1
	PT358-0040X	Centricut design	L30840	Nozzle - 4.0 mm double (10 pack)	10
	PT358-0040CP	Centricut design	L840X	Nozzle - 4.0 mm double CP	1
	PT358-0040CPX	Centricut design	L30840X	Nozzle - 4.0 mm double CP (10 pack)	10
	PT358-0045	Centricut design	L841	Nozzle - 4.5 mm double	1
	PT358-0045X	Centricut design	L30841	Nozzle - 4.5 mm double (10 pack)	10
	PT358-0045CP	Centricut design	L841X	Nozzle - 4.5 mm double CP	1
	PT358-0045CPX	Centricut design	L30841X	Nozzle - 4.5 mm double CP (10 pack)	10
	PT358-0050	Centricut design	L861	Nozzle - 5.0 mm double	1
	PT358-0050X	Centricut design	L30861	Nozzle - 5.0 mm double (10 pack)	10
	PT358-0050CP	Centricut design	L861X	Nozzle - 5.0 mm double CP	1
	PT358-0050CPX	Centricut design	L30861X	Nozzle - 5.0 mm double CP (10 pack)	10
	PT358-1925	Centricut design	L1925	Nozzle - 1.0 mm double (Penta)	1
	PT358-1926	Centricut design	L1926	Nozzle - 1.2 mm double (Penta)	1
	PT358-1927	Centricut design	L1927	Nozzle - 1.5 mm double (Penta)	1
	PT358-1928	Centricut design	L1928	Nozzle - 2.0 mm double (Penta)	1
	PT358-1929	Centricut design	L1929	Nozzle - 2.5 mm double (Penta)	1
	PT358-1930	Centricut design	L1930	Nozzle - 3.0 mm double (Penta)	1
	PT358-1931	Centricut design	L1931	Nozzle - 3.5 mm double (Penta)	1
	PT358-1932	Centricut design	L1932	Nozzle - 4.0 mm double (Penta)	1
	PT358-1933	Centricut design	L1933	Nozzle - 4.5 mm double (Penta)	1
2	PT358-0001	6930250001	L1348	Nozzle - 0.8 mm 3D double	1
	PT358-0002	6930250002	L1349	Nozzle - 1.0 mm 3D double	1
	PT358-0003	6930250003	L1350	Nozzle - 1.2 mm 3D double	1
	PT358-0004	6930250004	L1351	Nozzle - 1.5 mm 3D double	1
	PT358-0005		L1470	Nozzle - 1.8 mm 3D double	1
	PT358-0001CP		L1348X	Nozzle - 0.8 mm 3D double CP	1
	PT358-0002CP		L1349X	Nozzle - 1.0 mm 3D double CP	1
	PT358-0003CP		L1350X	Nozzle - 1.2 mm 3D double CP	1
	PT358-0004CP		L1351X	Nozzle - 1.5 mm 3D double CP	1
	PT358-0005CP		L1470X	Nozzle - 1.8 mm 3D double CP	1

Centricut is not affiliated with the named manufacturers. Reference to machines, parts, descriptions, and model numbers are for convenience in verifying compatibility only. All parts are made by or for Centricut and are not made by the referenced manufacturers (unless expressly indicated). Centricut is a registered trademark of Hypertherm, Inc. All other trademarks are the properties of their respective owners.

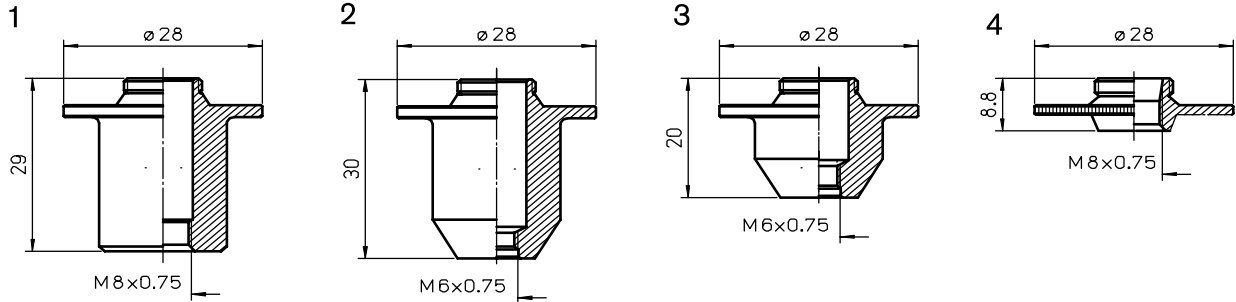
Consumables

	Centricut part number	Reference number	Alternate reference	Description	Pkg qty
3	PT406-0799 NEW		L799	Nozzle - 0.8 mm HD	1
	PT406-0001	Centricut design	L738	Nozzle - 1.0 mm HD	1
	PT406-0002	Centricut design	L739	Nozzle - 1.25 mm HD	1
	PT406-0003	Centricut design	L740	Nozzle - 1.5 mm HD	1
4	PT406-0008	Centricut design	L792	Nozzle - 0.8 mm	1
	PT406-0010	Centricut design	L793	Nozzle - 1.0 mm	1
	PT406-0125	Centricut design	L794	Nozzle - 1.25 mm	1
	PT406-0015	Centricut design	L742	Nozzle - 1.5 mm	1
	PT406-0018	Centricut design	L743	Nozzle - 1.8 mm	1
	PT406-0020	Centricut design	L744	Nozzle - 2.0 mm	1

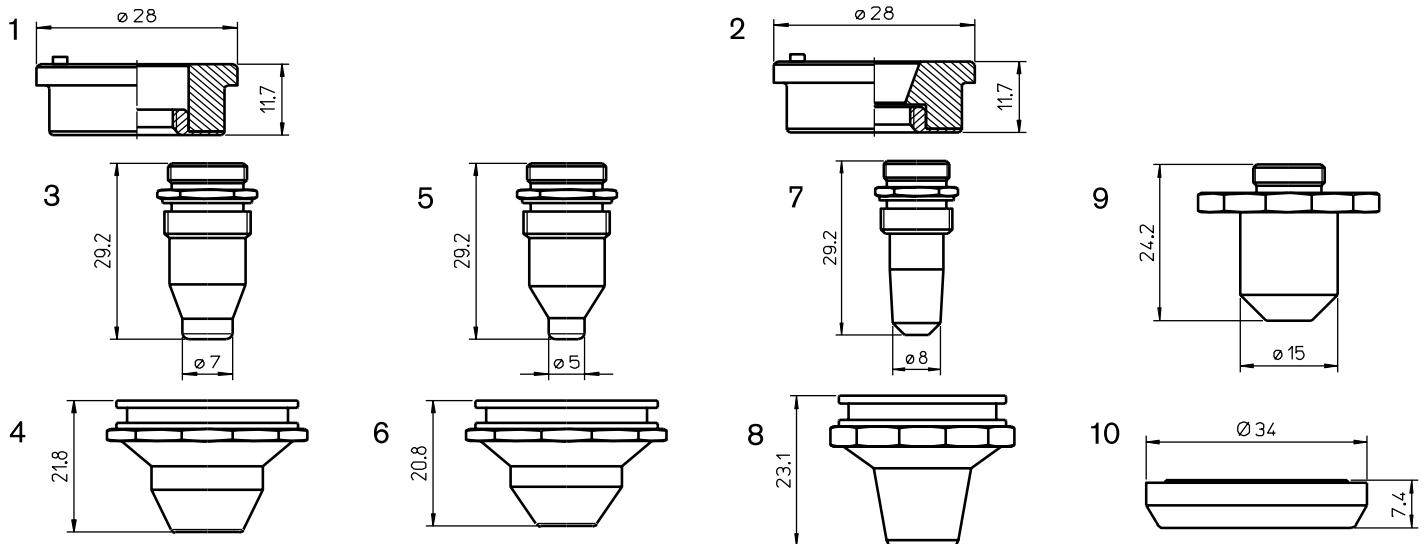
Centricut is not affiliated with the named manufacturers. Reference to machines, parts, descriptions, and model numbers are for convenience in verifying compatibility only. All parts are made by or for Centricut and are not made by the referenced manufacturers (unless expressly indicated). Centricut is a registered trademark of Hypertherm, Inc. All other trademarks are the properties of their respective owners.


Consumables

	Centricut part number	Reference number	Alternate reference	Description	Pkg qty
1	PT420-0010	Centricut design	L680	Nozzle - 1.0 mm double long	1
	PT420-0125	Centricut design	L681	Nozzle - 1.2 mm double long	1
	PT420-0015	Centricut design	L682	Nozzle - 1.5 mm double long	1
	PT420-0018	Centricut design	L683	Nozzle - 1.8 mm double long	1
	PT420-0020	Centricut design	L684	Nozzle - 2.0 mm double long	1
	PT420-0023	Centricut design	L685	Nozzle - 2.3 mm double long	1
	PT420-0025	Centricut design	L686	Nozzle - 2.5 mm double long	1
	PT420-0030	Centricut design	L687	Nozzle - 3.0 mm double long	1
	PT420-0035	Centricut design	L688	Nozzle - 3.5 mm double long	1
2	PT390-0010	P0573-563-00010	L308	Nozzle - 1.0 mm long	1
	PT390-0012	P0573-563-00012	L307	Nozzle - 1.2 mm long	1
	PT390-0015	P0573-563-00015	L382	Nozzle - 1.5 mm long	1
	PT390-0018		L383	Nozzle - 1.8 mm long	1
	PT390-0020	P0573-564-00020	L437	Nozzle - 2.0 mm long	1
	PT390-0023	P0573-565-00023	L438	Nozzle - 2.3 mm long	1
	PT390-0025	P0573-566-00025	L439	Nozzle - 2.5 mm long	1
	PT390-0030		L440	Nozzle - 3.0 mm long	1
3	PT390-0001		L1341	Nozzle - 1.0 mm long	1
	PT390-0002		L1343	Nozzle - 1.5 mm long	1
	PT390-0003		L1344	Nozzle - 1.8 mm long	1
	PT390-0004		L1345	Nozzle - 2.0 mm long	1
4	PT390-0040	P0578-0411-00010	L1374	Nozzle - 1.0 mm long w/radius	1
	PT390-0005	P0578-0412-00012	L1375	Nozzle - 1.2 mm long w/radius	1
	PT390-0006	P0578-0413-00015	L1376	Nozzle - 1.5 mm long w/radius	1
	PT390-0009	P0578-0414-00018	L1373	Nozzle - 1.8 mm long w/radius	1
	PT390-0007	P0415-0411-00020	L1377	Nozzle - 2.0 mm long w/radius	1
	PT390-0008	P0578-0415-00020	L1378	Nozzle - 2.5 mm long w/radius	1
	PT390-0040CP		L1374X	Nozzle - 1.0 mm long w/radius CP	1
	PT390-0005CP		L1375X	Nozzle - 1.2 mm long w/radius CP	1
	PT390-0006CP		L1376X	Nozzle - 1.5 mm long w/radius CP	1
	PT390-0009CP		L1373X	Nozzle - 1.8 mm long w/radius CP	1
	PT390-0007CP		L1377X	Nozzle - 2.0 mm long w/radius CP	1
	PT390-0008CP		L1378X	Nozzle - 2.5 mm long w/radius CP	1

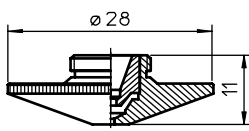

Consumables

	Centricut part number	Reference number	Alternate reference	Description	Pkg qty
1	PT406-0333		AL333	Nozzle adapter L - 29 M8	1
2	PT406-0334		AL334	Nozzle adapter L - 30 M6	1
3	PT406-0335		AL335	Nozzle adapter L - 20 M6	1
4	PT406-0043	Centricut design	AL43	Nozzle adapter	1

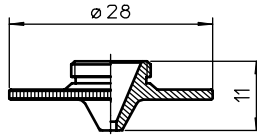

Consumables

	Centricut part number	Reference number	Alternate reference	Description	Pkg qty
1	PT348-1330OEM	281330, P0571-260-00001	AL23	Nozzle holder KT B2 - OEM	1
	PT348-1330 Recommended	281330, P0571-260-00001	AL131	Nozzle holder KT B2	1
2	PT348-1051	P0571-1051-00001	AL355	Nozzle holder KT B2 CON - OEM	1
3	PT348-4175	20054175	L1547	Inner nozzle - 1.9 mm	1
4	PT348-4176	20054176	AL415	Outer nozzle - 8.0 mm	1
5	PT348-5175		L1595	Inner nozzle - 1.7 mm	1
6	PT348-5176		AL427	Outer nozzle - 6.0 mm	1
7	PT348-0414		AL414	Outer nozzle - 7.0 mm	1
8	PT348-1545		L1545	Inner nozzle - 1.9 mm	1
9	PT348-1598 NEW		L1598	Nozzle - 3.0 mm	1
10	PT348-0413 NEW	CZ20B-2	AL413	Spacer	1

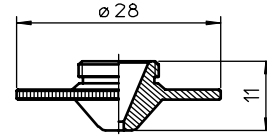
Centricut is not affiliated with the named manufacturers. Reference to machines, parts, descriptions, and model numbers are for convenience in verifying compatibility only. All parts are made by or for Centricut and are not made by the referenced manufacturers (unless expressly indicated). Centricut is a registered trademark of Hypertherm, Inc. All other trademarks are the properties of their respective owners.



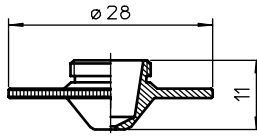
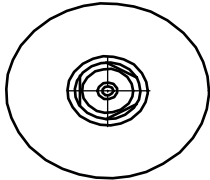
1



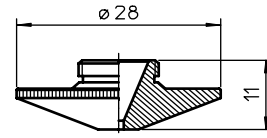
2



3



4

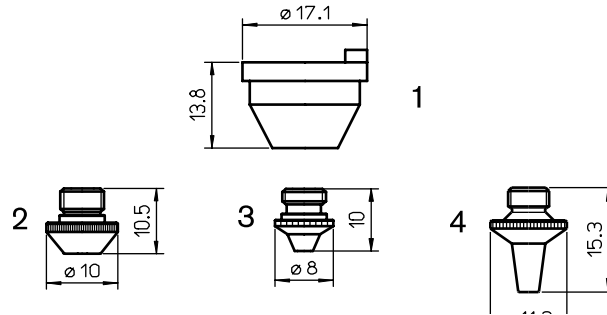


5

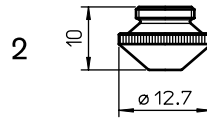
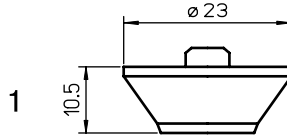
Consumables

	Centricut part number	Reference number	Alternate reference	Description	Pkg qty
1	PT377-0001	Centricut design	L1179	Nozzle - 1.0 mm double	1
	PT377-0002	Centricut design	L1180	Nozzle - 1.5 mm double	1
	PT377-0003	Centricut design	L1181	Nozzle - 2.0 mm double	1
	PT377-0004	Centricut design	L1182	Nozzle - 2.5 mm double	1
	PT377-0005	Centricut design	L1183	Nozzle - 3.0 mm double	1
	PT377-0001CP	Centricut design	L1179X	Nozzle - 1.0 mm double CP	1
	PT377-1160CP	Centricut design	L1160X	Nozzle - 1.2 mm double CP	1
	PT377-1161CP	Centricut design	L1161X	Nozzle - 1.4 mm double CP	1
	PT377-0002CP	Centricut design	L1180X	Nozzle - 1.5 mm double CP	1
	PT377-1162CP	Centricut design	L1162X	Nozzle - 1.8 mm double CP	1
	PT377-0003CP	Centricut design	L1181X	Nozzle - 2.0 mm double CP	1
	PT377-0004CP	Centricut design	L1182X	Nozzle - 2.5 mm double CP	1
	PT377-0005CP	Centricut design	L1183X	Nozzle - 3.0 mm double CP	1
PT377-1184CP	Centricut design	L1184X	Nozzle - 3.5 mm double CP	1	
2	PT348-0001		L1218	Nozzle - 1.5 mm HD	1
	PT348-0002		L1219	Nozzle - 2.0 mm HD	1
	PT348-0003		L1220	Nozzle - 2.5 mm HD	1
	PT348-0001CP		L1218X	Nozzle - 1.5 mm HD CP	1
	PT348-0002CP		L1219X	Nozzle - 2.0 mm HD CP	1
	PT348-0003CP		L1220X	Nozzle - 2.5 mm HD CP	1
3	PT348-0010		L1060	Nozzle - 1.0 mm HD	1
	PT348-0012		L1061	Nozzle - 1.2 mm HD	1
	PT348-0015		L1062	Nozzle - 1.5 mm HD	1
	PT348-0020		L1063	Nozzle - 2.0 mm HD	1
	PT348-0025		L1064	Nozzle - 2.5 mm HD	1
	PT348-0030		L1065	Nozzle - 3.0 mm HD	1
	PT348-1086		L1086	Nozzle - 3.5 mm HD	1
	PT348-1087	NEW	L1087	Nozzle - 4.0 mm HD	2
	PT348-1088	NEW	L1088	Nozzle - 4.5 mm HD	3
	PT348-1089	NEW	L1089	Nozzle - 5.0 mm HD	4
4	PT348-1340	281340, P0571-281-00010	L410	Nozzle - 1.0 mm	1
	PT348-1341	281341, P0571-282-00012	L411	Nozzle - 1.2 mm	1
	PT348-1342	281342, P0571-283-00015	L412	Nozzle - 1.5 mm	1
	PT348-0018	281342, P0571-284-00018	L413	Nozzle - 1.8 mm	1
	PT348-1343	281343, P0571-285-00020	L414	Nozzle - 2.0 mm	1
	PT348-1344	281344, P0571-286-00025	L415	Nozzle - 2.5 mm	1
5	PT377-0010	281599, P0571-291-00010	L465	Nozzle - 1.0 mm	1
	PT377-0012	P0571-292-00012	L466	Nozzle - 1.2 mm	1
	PT377-0015	281570, P0571-293-00015	L467	Nozzle - 1.5 mm	1
	PT377-0018		L468	Nozzle - 1.8 mm	1
	PT377-0020	281571, P0571-295-00020	L469	Nozzle - 2.0 mm	1
	PT377-0025	281572, P0571-297-00025	L470	Nozzle - 2.5 mm	1
	PT377-0030		L463	Nozzle - 3.0 mm	1

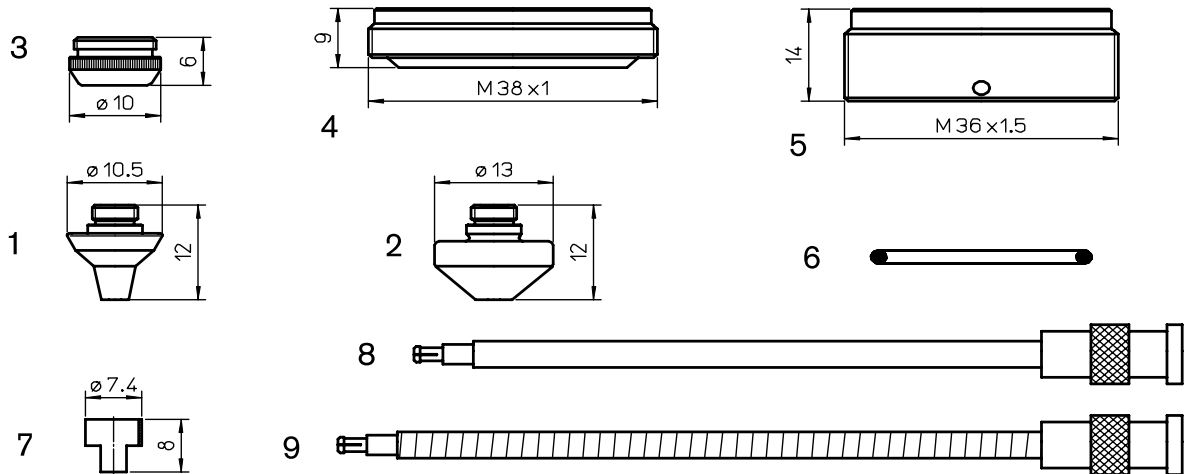
Centricut is not affiliated with the named manufacturers. Reference to machines, parts, descriptions, and model numbers are for convenience in verifying compatibility only. All parts are made by or for Centricut and are not made by the referenced manufacturers (unless expressly indicated). Centricut is a registered trademark of Hypertherm, Inc. All other trademarks are the properties of their respective owners.


Consumables

	Centricut part number	Reference number	Alternate reference	Description	Pkg qty
5" KN Sensor system					
1	TR302-2405	280408, 092405	AL53	Nozzle holder - KTM 1.5" KN	1
2	PT344-0550		L445	Nozzle - 0.8 mm	1
	PT344-0550X		L30445	Nozzle - 0.8 mm (10 pack)	10
	PT344-0551	280551, P0494-853-00010	L292	Nozzle - 1.0 mm	1
	PT344-0551X	280551, P0494-853-00010	L30292	Nozzle - 1.0 mm (10 pack)	10
	PT344-0552	280552, P0494-854-00012	L293	Nozzle - 1.2 mm	1
	PT344-0552X	280552, P0494-854-00012	L30293	Nozzle - 1.2 mm (10 pack)	10
	PT344-0553	280553, P0494-855-00015	L294	Nozzle - 1.5 mm	1
	PT344-0553X	280553, P0494-855-00015	L30294	Nozzle - 1.5 mm (10 pack)	10
	PT344-0554	280554, P0494-856-00017	L295	Nozzle - 1.7 mm	1
	PT344-0554X	280553, P0494-856-00017	L30295	Nozzle - 1.7 mm (10 pack)	10
	PT344-0555	280555, P0494-855-00020	L296	Nozzle - 2.0 mm	1
	PT344-0555X	280553, P0494-855-00015	L30296	Nozzle - 2.0 mm (10 pack)	10
	PT344-9023		L372	Nozzle - 2.3 mm	1
	PT344-9023X		L30372	Nozzle - 2.3 mm (10 pack)	10
	PT344-9025		L371	Nozzle - 2.5 mm	1
	PT344-9025X		L30371	Nozzle - 2.5 mm (10 pack)	10
	PT344-0030		L304	Nozzle - 3.0 mm	1
	PT344-0030X		L30304	Nozzle - 3.0 mm (10 pack)	10
PT344-0400		L303	Nozzle - 4.0 mm	1	
PT344-0400X		L30303	Nozzle - 4.0 mm (10 pack)	10	
DE M 1.5"					
3	PT379-0010	280943, P0494-787-00010	L1055	Nozzle - 1.0 mm KN	1
	PT379-0010X	280943, P0494-787-00010	L301055	Nozzle - 1.0 mm KN (10 pack)	10
	PT379-0012	280942, P0494-788-00012	L1056	Nozzle - 1.2 mm KN	1
	PT379-0012X	280942, P0494-788-00012	L301056	Nozzle - 1.2 mm KN (10 pack)	10
	PT379-0015	280941, P0494-789-00015	L1057	Nozzle - 1.5 mm KN	1
	PT379-0015X	280941, P0494-789-00015	L301057	Nozzle - 1.5 mm KN (10 pack)	10
	PT379-0018		L1058	Nozzle - 1.8 mm KN	1
	PT379-0018X		L301058	Nozzle - 1.8 mm KN (10 pack)	10
	PT379-0020		L1059	Nozzle - 2.0 mm KN	1
PT379-0020X		L301059	Nozzle - 2.0 mm KN (10 pack)	10	
DE Y 30/22					
4	PT344-1980 NEW	P0787-482-00012	L1980	Nozzle - 1.2 mm DE	1
	PT344-1980X NEW	P0787-482-00012	L301980	Nozzle - 1.2 mm DE (10 pack)	10
	PT344-1981 NEW	P0787-483-00015	L1981	Nozzle - 1.5 mm DE	1
	PT344-1981X NEW	P0787-483-00015	L301981	Nozzle - 1.5 mm DE (10 pack)	10

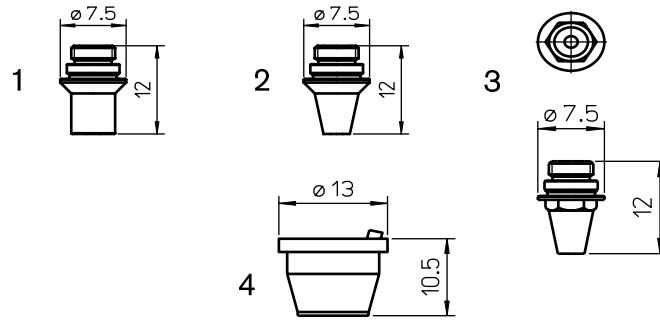

Consumables

	Centricut part number	Reference number	Alternate reference	Description	Pkg qty
2.5" CM SENSOR SYSTEM					
1	PT344-1079	281079, P0492-430-00003, W149	AL138	Nozzle holder - OEM KTM1.5" S F2.5"	1
	PT344-0013	280013, P0492-441-00008, W222	L400	Nozzle - 0.8 mm	1
	PT344-0013X	280013, P0492-441-00008, W222	L30400	Nozzle - 0.8 mm (10 pack)	10
	PT344-0014	280014, P0492-442-00010, W223	L401	Nozzle - 1.0 mm	1
	PT344-0014X	280014, P0492-442-00010, W223	L30401	Nozzle - 1.0 mm (10 pack)	10
	PT344-0015	280015, P0492-443-00012	L402	Nozzle - 1.2 mm	10
	PT344-0015X	280015, P0492-443-00012	L30402	Nozzle - 1.2 mm (10 pack)	1
	PT344-0016	280016, P0492-444-00015, W224	L403	Nozzle - 1.5 mm	1
	PT344-0016X	280016, P0492-444-00015, W224	L30403X	Nozzle - 1.5 mm (10 pack)	10
	PT344-0018	P0492-447-00018	L543	Nozzle - 1.8 mm	10
	PT344-0018X	P0492-447-00018	L30543	Nozzle - 1.8 mm (10 pack)	1
	PT344-0937	280937, P0492-445-00020, W225	L544	Nozzle - 2.0 mm	1
	PT344-0937X	280937, P0492-445-00020, W225	L30544	Nozzle - 2.0 mm (10 pack)	10
	PT344-0023	P0492-448-00023	L546	Nozzle - 2.3 mm	1
	PT344-0023X	P0492-448-00023	L30546	Nozzle - 2.3 mm (10 pack)	10
	PT344-1791	281791, P0492-44500020, W226	L545	Nozzle - 2.5 mm	1
	PT344-1791X	281791, P0492-44500020, W226	L30545	Nozzle - 2.5 mm (10 pack)	10
	PT344-0027		L547	Nozzle - 3.0 mm	1
2	PT344-0027X		L30547	Nozzle - 3.0 mm (10 pack)	10
	PT344-0008CP	280013, P0492-441-00008, W222	L400X	Nozzle - 0.8 mm	1
	PT344-0008CPX	280013, P0492-441-00008, W222	L30400X	Nozzle - 0.8 mm (10 pack)	10
	PT344-0010CP	280014, P0492-442-00010, W223	L401X	Nozzle - 1.0 mm	1
	PT344-0010CPX	280014, P0492-442-00010, W223	L30401X	Nozzle - 1.0 mm (10 pack)	10
	PT344-0012CP	280015, P0492-443-00012	L402X	Nozzle - 1.2 mm	1
	PT344-0012CPX	280015, P0492-443-00012	L30402X	Nozzle - 1.2 mm (10 pack)	10
	PT344-0015CP	280016, P0492-444-00015, W224	L403X	Nozzle - 1.5 mm	1
	PT344-0015CPX	280016, P0492-444-00015, W224	L30403X	Nozzle - 1.5 mm (10 pack)	10
	PT344-0018CP	P0492-447-00018	L543X	Nozzle - 1.8 mm	1
	PT344-0018CPX	P0492-447-00018	L30543X	Nozzle - 1.8 mm (10 pack)	10
	PT344-0022CP	280937, P0492-445-00020, W225	L544X	Nozzle - 2.0 mm	1
	PT344-0022CPX	280937, P0492-445-00020, W225	L30544X	Nozzle - 2.0 mm (10 pack)	10
	PT344-0023CP	P0492-448-00023	L546X	Nozzle - 2.3 mm	1
	PT344-0023CPX	P0492-448-00023	L30546X	Nozzle - 2.3 mm (10 pack)	10
	PT344-0025CP	281791, P0492-446-00025, W226	L545X	Nozzle - 2.5 mm	1
	PT344-0025CPX	281791, P0492-446-00025, W226	L30545X	Nozzle - 2.5 mm (10 pack)	10
	PT344-0027CP		L547X	Nozzle - 3.0 mm	1
	PT344-0027CPX		L30547X	Nozzle - 3.0 mm (10 pack)	10

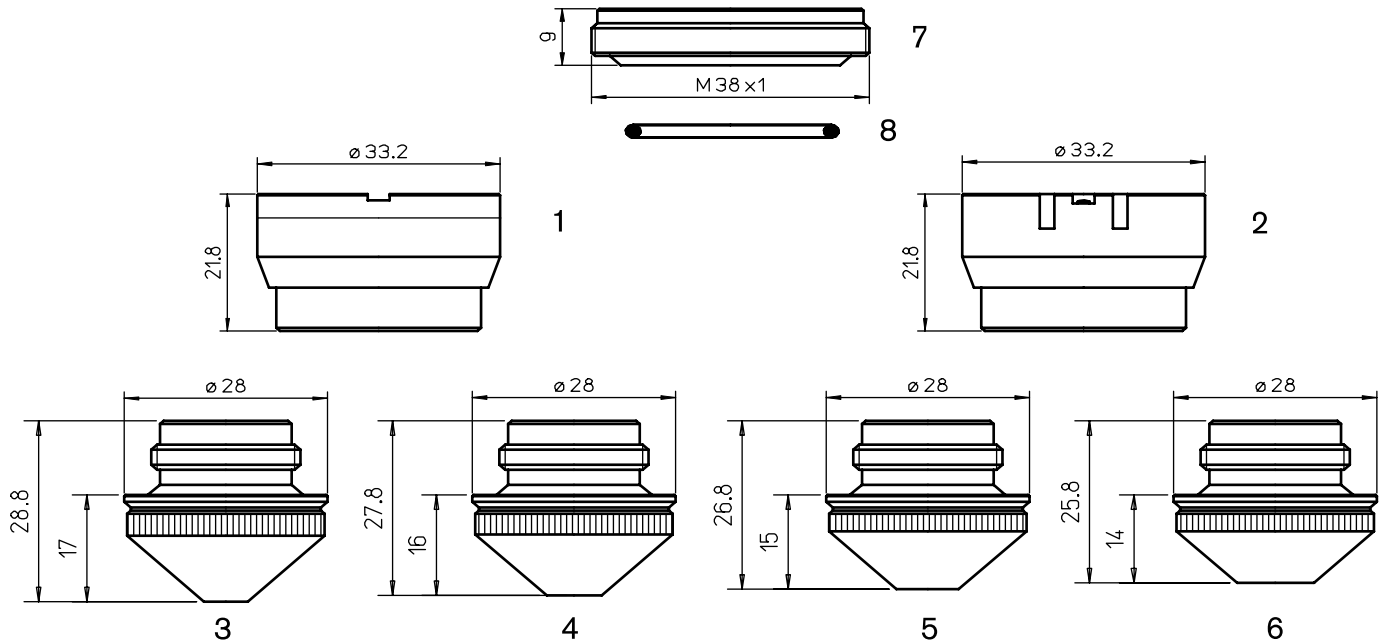

MAZAK 3D – Precitec 5" C/MG – 5" H/MG
Consumables

	Centricut part number	Reference number	Alternate reference	Description	Pkg qty
1	PT347-0005	46713300290-10	L554	Nozzle – 1.0 mm 3D	1
	PT347-0005X	46713300290-10	L30554	Nozzle – 1.0 mm 3D (10 pack)	10
	PT347-0290-1.2	46713300290-12	L555	Nozzle – 1.2 mm 3D	1
	PT347-0090X	46713300290-12	L30555	Nozzle – 1.2 mm 3D (10 pack)	10
	PT347-0290	46713300290-15, P0352-381-00015	L556	Nozzle – 1.5 mm 3D	1
	PT347-0290X	46713300290-15, P0352-381-00015	L30556	Nozzle – 1.5 mm 3D (10 pack)	10
	PT347-0118		L557	Nozzle – 1.8 mm 3D	1
	PT347-0118X		L30557	Nozzle – 1.8 mm 3D (10 pack)	10
	PT347-0280	46713300310, P0352-382-00020	L558	Nozzle – 2.0 mm 3D	1
	PT347-0280X	46713300310, P0352-382-00020	L30558	Nozzle – 2.0 mm 3D (10 pack)	10
	PT347-0001	46713300280-25	L560	Nozzle – 2.5 mm 3D	1
	PT347-0001X	46713300280-25	L30560	Nozzle – 2.5 mm 3D (10 pack)	10
	PT347-0002	46713300280-30, 46713300430	L563	Nozzle – 3.0 mm 3D	1
	PT347-0002X	46713300280-30	L30563	Nozzle – 3.0 mm 3D (10 pack)	10
	PT347-0035	46713300280-35	L564	Nozzle – 3.5 mm 3D	1
	PT347-0035X	46713300280-35	L30564	Nozzle – 3.5 mm 3D (10 pack)	10
2	PT347-0004		L576	Nozzle – 1.0 mm 2D	1
	PT347-0004X		L30576	Nozzle – 1.0 mm 2D (10 pack)	10
	PT347-0310-1.2	46713300310	L577	Nozzle – 1.2 mm 2D	1
	PT347-0012X	46713300310	L30577	Nozzle – 1.2 mm 2D (10 pack)	10
	PT347-0310	P0352-386-00015	L578	Nozzle – 1.5 mm 2D	1
	PT347-0310X	P0352-386-00015	L30578	Nozzle – 1.5 mm 2D (10 pack)	10
	PT347-1018		L579	Nozzle – 1.8 mm 2D	1
	PT347-1018X		L30579	Nozzle – 1.8 mm 2D (10 pack)	10
	PT347-0300	46713300300, P0352-387-00020	L580	Nozzle – 2.0 mm 2D	1
	PT347-0300X	46713300300, P0352-387-00020	L30580	Nozzle – 2.0 mm 2D (10 pack)	10
	PT347-0003	46713300300-25	L581	Nozzle – 2.5 mm 2D	1
	PT347-0003X	46713300300-25	L30581	Nozzle – 2.5 mm 2D (10 pack)	10
	PT347-0006	46713300300-30	L582	Nozzle – 3.0 mm 2D	1
	PT347-0006X	46713300300-30	L30582	Nozzle – 3.0 mm 2D (10 pack)	10
3	PT347-0320	46713300321, P0352-311-00001	AL160	Union nut – Vespel®	1
4	PT347-4297	P0492-702-00001, 29100021	AL198	Insulating ring	1
5	PT347-0008	46713330200	AL218	Insulator 5-axis	1
6	AM326-6453	71366453	AL94	Outer nozzle o-ring	1
7	PT347-0009		AL256	Insulator collar	1
8	PT347-0101	P0360-100-00500, 46713300100	AL204	Sensor cable 500 mm (OEM)	1
9	PT347-1386	281386, P0360-155-00500	AL257	Sensor cable – armored	1

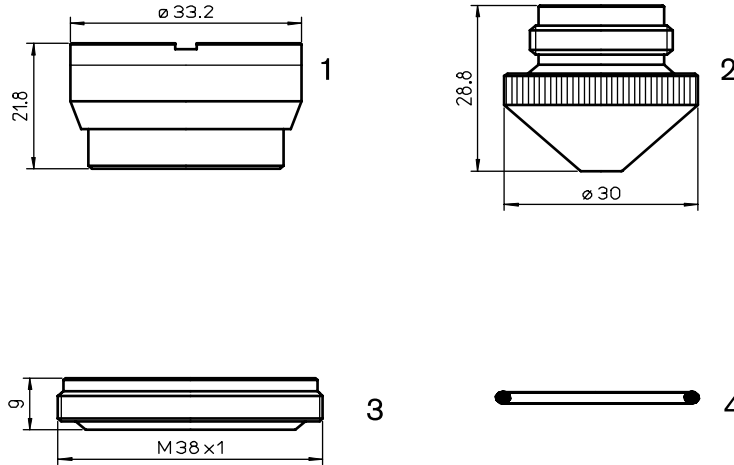
Centricut is not affiliated with the named manufacturers. Reference to machines, parts, descriptions, and model numbers are for convenience in verifying compatibility only. All parts are made by or for Centricut and are not made by the referenced manufacturers (unless expressly indicated). Centricut is a registered trademark of Hypertherm, Inc. All other trademarks are the properties of their respective owners.


Consumables

	Centricut part number	Reference number	Alternate reference	Description	Pkg qty
1	PT347-1005	281005, P0352-323-00010	L480	Nozzle - 1.0 mm ZK	1
	PT347-1005X	281005, P0352-323-00010	L30480	Nozzle - 1.0 mm ZK (10 pack)	10
	PT347-1034	281034, P0352-324-00012	L481	Nozzle - 1.2 mm ZK	1
	PT347-1034X	281034, P0352-324-00012	L30481	Nozzle - 1.2 mm ZK (10 pack)	10
	PT347-1013	281013, P0352-325-00015	L482	Nozzle - 1.5 mm ZK	1
	PT347-1013X	281013, P0352-325-00015	L30482	Nozzle - 1.5 mm ZK (10 pack)	10
	PT347-0899	280899, P0352-326-00018	L483	Nozzle - 1.8 mm ZK	1
	PT347-0899X	280899, P0352-326-00018	L30483	Nozzle - 1.8 mm ZK (10 pack)	10
	PT347-0044-3	350044.3, P0352-327-00020	L484	Nozzle - 2.0 mm ZK	1
	PT347-0044X	350044.3, P0352-327-00020	L30484	Nozzle - 2.0 mm ZK (10 pack)	10
	PT347-1025	P0352-328-00025	L485	Nozzle - 2.5 mm ZK	1
PT347-1025X	350044.3, P0352-328-00025	L30485	Nozzle - 2.5 mm ZK (10 pack)	10	
2	PT347-1006	281006, P0352-333-00010	L486	Nozzle - 1.0 mm KK	1
	PT347-1006X	281006, P0352-333-00010	L30486	Nozzle - 1.0 mm KK (10 pack)	10
	PT347-1030	281030, P0352-334-00012	L487	Nozzle - 1.2 mm KK	1
	PT347-1030X	281030, P0352-334-00012	L30487	Nozzle - 1.2 mm KK (10 pack)	10
	PT347-1031	281031, P0352-335-00015	L488	Nozzle - 1.5 mm KK	1
	PT347-1031X	281031, P0352-335-00015	L30488	Nozzle - 1.5 mm KK (10 pack)	10
	PT347-0898	280898, P0352-336-00018	L489	Nozzle - 1.8 mm KK	1
	PT347-0898X	280898, P0352-336-00018	L30489	Nozzle - 1.8 mm KK (10 pack)	10
	PT347-1020	P0352-336-00020	L490	Nozzle - 2.0 mm KK	1
PT347-1020X	P0352-336-00020	L30490	Nozzle - 2.0 mm KK (10 pack)	10	
3	PT347-1760		L1760	Nozzle - DE M1.5 KS 1.0 mm (Hex)	1
	PT347-1761	P0491-1001-00015	L1761	Nozzle - DE M1.5 KS 1.2 mm (Hex)	1
	PT347-1762		L1762	Nozzle - DE M1.5 KS 1.5 mm (Hex)	1
	PT347-1764	P0491-1002-00020	L1764	Nozzle - DE M1.5 KS 2.0 mm (Hex)	1
	PT347-1760X	L301760	L301760	Nozzle - DE M1.5 KS 1.0 mm (Hex)	10
	PT347-1761X	L301761	L301761	Nozzle - DE M1.5 KS 1.2 mm (Hex)	10
	PT347-1762X	L301762	L301762	Nozzle - DE M1.5 KS 1.5 mm (Hex)	10
PT347-1764X	L301764	L301764	Nozzle - DE M1.5 KS 2.0 mm (Hex)	10	
4	PT347-0110	P49113000001		Nozzle holder - KT M1.5" K S - ceramic (OEM)	1


5" DXN – 5" DL SENSOR SYSTEM
Consumables

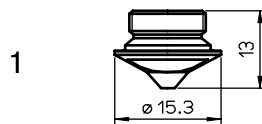
	Centricut part number	Reference number	Alternate reference	Description	Pkg qty
1	PT311-0565	280565, P0497-605-00001, 29100106	AL40	Nozzle holder - KTM 1.5" DXN - ceramic	1
	PT311-0298 NEW	P0497-68871	AL298	Nozzle holder - KTM 1.5" DXN - ceramic	1
2	PT311-1146 Recommended	281146, P0380-211-00001, 29100033	AL130/S	Nozzle holder - ITM 1.5" DZ	1
	PT311-1146OEM	281146, P0380-211-00001, 29100033	AL130	Nozzle holder - ITM 1.5" DZ (OEM) - aluminum	1
3	PT376-0010	280029, P0492-628-00010	L365	Nozzle - 1.0 mm	1
	PT376-0012	280030, P0492-629-00012	L366	Nozzle - 1.2 mm	1
4	PT376-0015	280028, P0492-627-00015	L367	Nozzle - 1.5 mm	1
	PT376-0017	281384, P0492-630-00017	L368	Nozzle - 1.7 mm	1
5	PT376-0020	280027, P0492-626-00020	L369	Nozzle - 2.0 mm	1
	PT376-0025	280026, P0492-625-00025	L370	Nozzle - 2.5 mm	1
7	PT311-0001	P0492-702-00002	AL201	Insulating ring - plastic	1
8	AM326-6453	71366453	AL94	Outer nozzle o-ring	1


5"DX e 5"DXN PRECITEC SENSOR SYSTEM
Consumables

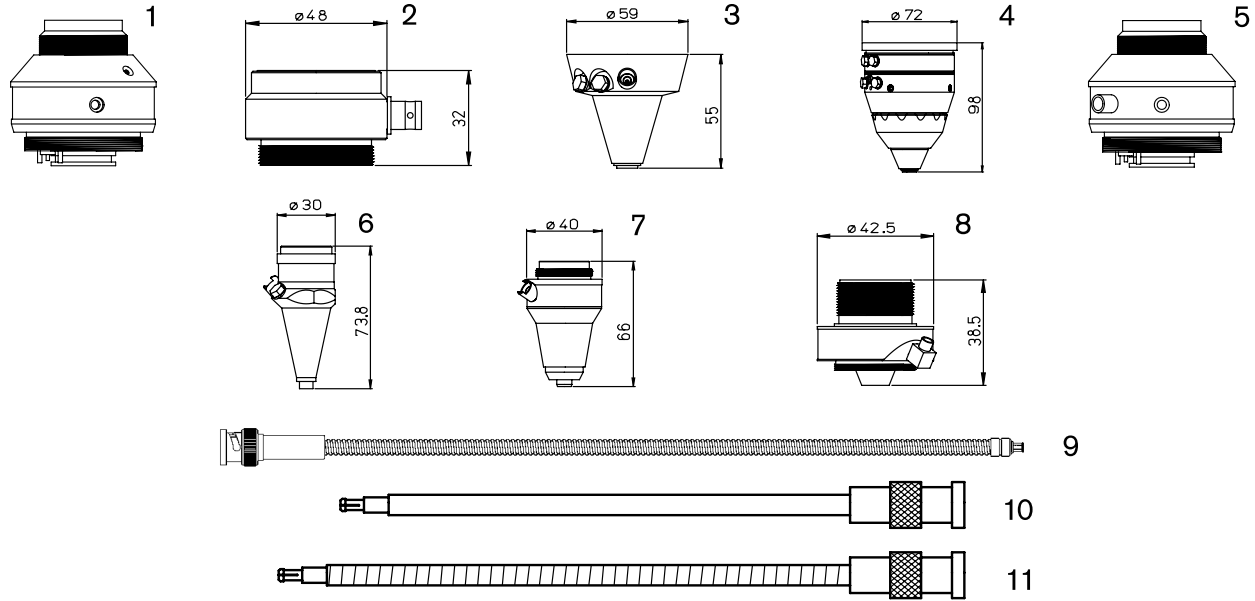
	Centricut part number	Reference number	Alternate reference	Description	Pkg qty
1	PT311-0565	280565, P0497-605-00001, 29100106	AL40	Nozzle holder - KTM 1.5" DXN - ceramic	1
	PT311-0298 NEW	P0497-68871	AL298	Nozzle holder - KTM 1.5" DXN - ceramic	1
2	PT311-0010	281253, P0380-251-00010	L163	Nozzle - 1.0 mm	1
	PT311-0012	281254, P0380-252-00012	L164	Nozzle - 1.2 mm	1
	PT311-0015	281255, P0380-253-00015	L165	Nozzle - 1.5 mm	1
	PT311-0020	281270, P0380-254-00020	L166	Nozzle - 2.0 mm	1
	PT311-0025	281271, P0380-255-00025	L167	Nozzle - 2.5 mm	1
	PT311-0027	281271-2.7	L462	Nozzle - 2.7 mm	1
	PT311-0030	281271-3.0	L201	Nozzle - 3.0 mm	1
3	PT311-0001	P0492-702-00002	AL201	Insulating ring - plastic	1
4	AM326-6453	71366453	AL94	Outer nozzle o-ring	1

Consumables

Centricut part number	Reference number	Alternate reference	Description	Pkg qty
PRECITEC® original spare parts (not shown)				
PT347-0110	P49113000001		OEM nozzle holder KT M1.5" K S – ceramic	1
PT347-0007	P0354-110-00001	AL211	OEM nozzle body SE M1.5" HNZ	1
PT347-0010	P059110500001		Connector head OEM	1
PT347-0012	P49713000001		Nut M1.5" DXN OEM	1
PT347-0013 NEW	P0787-467-00001		Protection Cap	1
PT347-0200	P49700200200		Cable 200 mm OEM	1
PT347-0000	P251107000001	OG Y D50 d2 HII	Protecting glass	1
PT347-0014	P36015000300	KE 300 gw Z mm	Sensor cable OEM	1
PT347-0016	P059177000001		Electrode tactile OEM	1
PT347-0017	P059132900001	ZM HP1.5" DR	Seal 1.5" OEM	1
PT347-0018	P08M00001124KF	ZM HP1.5" DF	Seal 1.5" OEM	1
PT347-0021	P059451000001		Sensor SE HP 2.0" OEM	1
PT347-0022	P059158000001	281617	Socket ZM HP 1.5" IB OEM	1
PT347-0023	P059192000001	281395	Seals (set) ZM HP1.5" DS OEM	1
PT347-0024	P0497-110-00001		Sensor insert – SE M1.5DXN	1
PT347-1439	P0591-360-0001		Lens ring set	1
PT347-1383	P0591-490-0001	281395	Nut tray	1
PT344-0001	P0788-580-00001		Lens mount – OL YR30 F100 w/lens	1
PT347-0130	P0492-001-00130		Electrode cable, KE 130 GW	1
PT347-0220	P0464-810-00220		Electrode cable, KE 220 GGMM	1
PT347-350		AL350	Washer for cone	1
PT347-349		AL349	Inner sensor cone	1


ZE SE YK 52 Z
Consumables

	Centricut part number	Reference number	Alternate reference	Description	Pkg qty
1	PT401-1008	P0587-842-00008	L1012	Nozzle – 0.8 mm	1
	PT401-0010	P0587-841-00010	L1013	Nozzle – 1.0 mm	1
	PT401-0015	P0587-846-00015	L1014	Nozzle – 1.5 mm	1
	PT347-0000 (not shown)	P251107000001	OG Y D50 d2 HII	Protecting glass	1


Consumables

	Centricut part number	Reference number	Alternate reference	Description	Pkg qty
Sensor cone repair					
1	PT999-DXN			Sensor repair DXN	1
2	MB999-429A	W429A	461	Sensor repair W429A	1
3	PT999-YH27	P0589-800-00001		Sensor repair YH27	1
4	PT999-YR30	YR-30		Sensor repair YR-30	1
5	PT999-DZ	281145		Sensor repair DZ	1
6	PT999-HNZ	P0354-110-00001		Sensor repair HNZ	1
	PT999-HPZ			Sensor repair HPZ	1
7	PT999-KN	280549		Sensor repair KN	1
	PT420-0125			Sensor repair S.5J	1
8	PT999-25ZJ	P0361-203-00001		Sensor repair 25ZJ	1
	MB999-239	W239		Sensor repair W239	1
	PT999-HPZ (not shown)			Sensor repair HPZ	1
	PT999-HP2 (not shown)	281672		Sensor repair HP/HP2Z	1
	PT999-LRC (not shown)	P0599-520-00002		Sensor repair - LRC	1
New sensor cones					
8	PT347-8001	280010		Sensor cone - 2.5Z/J	1
	PT347-0522 (not shown)	P0599-520-00002		Sensor cone - LRC	1
	PT347-0019 (not shown)			Sensor insert - SE M1.5" DZ	1
Sensor cables					
9	PT347-0101A	P0360-100-00500		Sensor cable - armored 500 mm (20")	1
	PT347-0250 (not shown)	P0492-001-00250		Sensor cable - armored 250 mm (10")	1
10	PT347-0101	P0360-100-00500, 46713300100	AL204	Sensor cable 500 mm (OEM) (20")	1
11	PT347-1386	281386, P0360-155-00500	AL257	Sensor cable - armored	1
	PT347-1250 (not shown)	D5001-040-00250		Sensor cable - armored 250 mm	1
	PT347-KS13 (not shown)	PRECITEC AD#130		Sensor cable - 390 mm KS-13 AD#130	1
	PT347-0600OEM (not shown)			Sensor cable ZWW 600 (OEM) 265 mm (10.4")	1
	PT347-0450 (not shown)	P0497-002-00450	AL202	Sensor cable 450 mm (18")	1
	PT347-0015A (not shown)	00B-15		Sensor cable 380 mm (10")	1
	PT347-0181 (not shown)	46743300181	AL358	Sensor cable 305 mm - armored (12")	1
	PT347-0522 (not shown)			Sensor cable - LRC	1
	PT347-0014 (not shown)	P36015000300		Sensor cable (OEM) - KE 300 gw Z MM	1
	PT344-3051 (not shown)			Electrode guard - long	1
	PT347-0040 (not shown)	00BB-A-17i,BEC004-000.4		Sensor cable - 431 mm armored (17")	1
	PT347-0300A (not shown)	P0492-014-00300		Sensor cable - 300 mm KE armored	1

Consumables

Centricut part number	Reference number	Alternate reference	Description	Pkg qty
PT348-0390 (not shown)		AL257/S	Sensor cable – 390 mm	1

Sensor repairs available in select regions only.

Centricut part number	Reference number	Alternate reference	Description	Pkg qty
PT311-0787 (not shown)	280787, P48413300001		Insulating ring	1
PT347-0920 (not shown)	46713330920	AL221	Insulating ring	1
PT347-0520 (not shown)	P0591-520-00001		Insulating plate	1
PT347-0940 (not shown)	46713330940	AL353	Torch inner top	1
PT347-1240 (not shown)	46713331240	AL351	Torch outer top	1
PT347-0930 (not shown)	P0591-930-0001		Spatter protection plate	2
PT347-9006 (not shown)	HNP-006	AL356	Connector cup – HNP	1

Optics

Centricut part number	Reference number	Type	Diameter	Focal length	Edge thickness
Lenses					
PT317-0002	406294	MEN	1.5"	5.0"	.290"
PT317-0001	452726	MEN	1.5"	7.5"	.125"
PT317-6326	206326	MEN	2.0"	5.0"	.378"
PT317-8936	468936/F	PLX	1.5"	2.5"	.085"
PT317-8275	628275	PLX	2.0"	10.0"	.310"
PT317-0537	960537	PLX	2.0"	10.0"	.380"
PT317-9527	779527	PLX	2.0"	10.0"	.500"
PT317-8950	148950	PLX	1.5"	2.5"	.085"

Centricut part number	Reference number	Material	Diameter	Edge thickness
Windows				
PT317-0589		FS	22.35 mm	4.0 mm
PT317-1789		FS	50 mm	3.18 mm
PT317-9360	P58936000001	FS (with o-ring)	22.35 mm	4.0 mm
PT317-1424	WK OGC	FS	21.50 mm	2.0 mm
PT317-1425	SCR-01	FS	38.00 mm	5.2 mm
PT317-1551	P0595-61551, P0595-58601-61551	FS	37.00 mm	7.0 mm
PT317-5919	77005919	FS	48.00 mm	7.0 mm

Optics care

Centricut part number	Reference number	Description	Pkg qty
TR300-6452	N/A	Lens cleaning paper, Tiffen – 50 piece	1
AM313-SC50	SC50	Lens cleaning paper, Tresor – 50 piece	1
TR300-1115		Lens cleaning pre-cut cotton – 80 piece	1
TR300-SC20		Cotton swab – 20 piece	1
TR300-1010	AL1010	Dropper, lens cleaning fluid	1
TR300-1112		Optical cleaning fluid	1
TR300-0699	70675699 REVA	Lens Cleaning Swabs (25 pack)	1
TR300-7991	027991	Polyester Wipes 4" x 4"	1
TR301-0282		Injector	1
TR300-LSA		Lens stress analyzer	1
TR300-255	AL255	Loupe, magnifying	1
TR300-271	AL271	Base, lens maintenance	1
TR300-7388	787388	Mirror polish (250 ml)	1

Centricut is not affiliated with the named manufacturers. Reference to machines, parts, descriptions, and model numbers are for convenience in verifying compatibility only. All parts are made by or for Centricut and are not made by the referenced manufacturers (unless expressly indicated). Centricut is a registered trademark of Hypertherm, Inc. All other trademarks are the properties of their respective owners.

Technical support

- Our technical service team can answer questions about any laser or plasma cutting system. Whether it's a question about a part, a system, or for guidance on how to optimize performance, our experts can help.
- We stand behind our products with industry-leading technical expertise
- OEM trained technicians on staff with over 25 years experience



**HELPING YOU
SHAPE THE WORLD.**



PLASMA | LASER | WATERJET | AUTOMATION | SOFTWARE | CONSUMABLES

For more information on Centricut laser products, visit
www.hypertherm.com/centricut/laser

Hypertherm, Centricut, SilverLine and CoolFlow are trademarks of Hypertherm Inc., and may be registered in the United States and/or other countries. All other trademarks are the property of their respective owners.

One of Hypertherm's long-standing core values is a focus on minimizing our impact on the environment. Doing so is critical to our, and our customers' success. We are always striving to become better environmental stewards; it is a process we care deeply about.

© 12/2016 Hypertherm Inc.



Hypertherm[®]
SHAPING POSSIBILITY™

