



## 2017 catalog

For CO<sub>2</sub> and fiber laser consumables

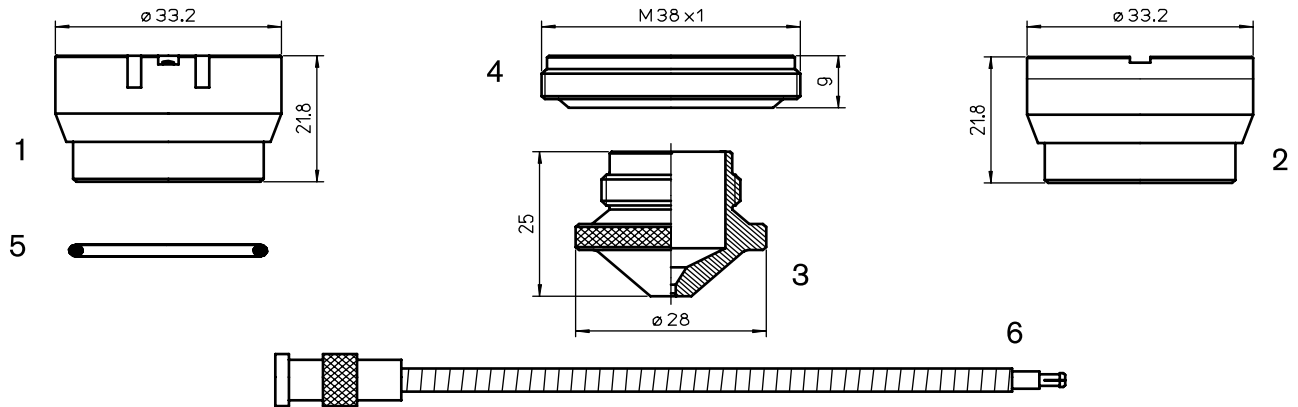
Replacements parts suitable for LVD®



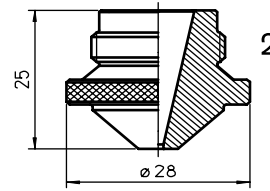
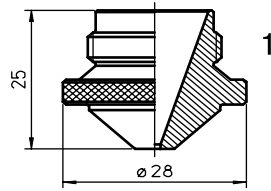
## Our value proposition

- Product breadth – with over 2,800 part numbers
- OEM quality/consistency for nozzles, ceramics and optics
- Technical/application support from OEM-trained technicians
- 100% satisfaction guarantee



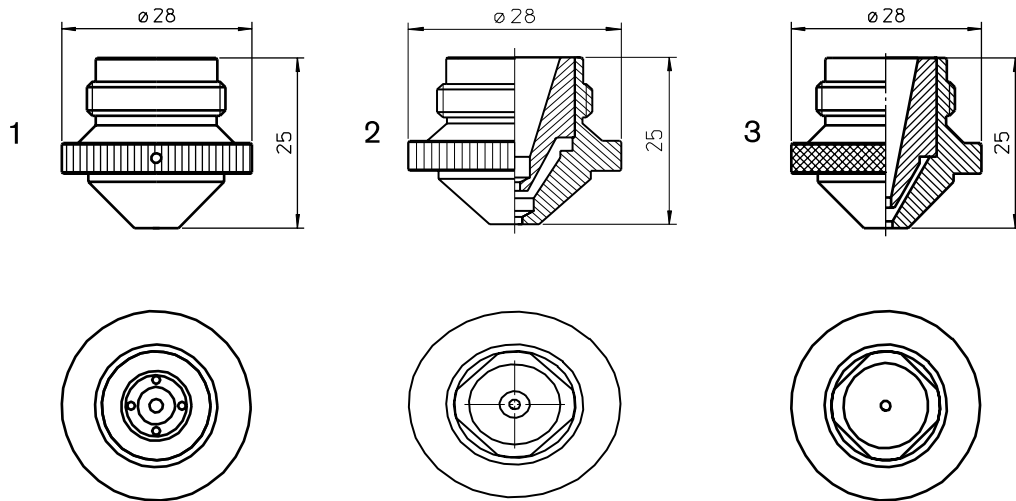

**Consumables**

	Centricut part number		Reference number	Alternate reference	Description	Pkg qty
1	PT311-1146 <b>Recommended</b>		281146, P0380-211-00001, 29100033	AL130/S	Nozzle holder - ITM 1.5" DZ - aluminum	1
	PT311-1146OEM		281146, P0380-211-00001, 29100033	AL130	Nozzle holder - ITM 1.5" DZ (OEM) - aluminum	1
2	PT311-0565		280565, P0497-605-00001, 29100106	AL40	Nozzle holder - KTM 1.5" DXN - ceramic	1
	PT311-0298 <b>NEW</b>		P0497-68871	AL298	Nozzle holder - KTM 1.5" DXN - ceramic	1
3	LV332-1993		D5241993	L757	Nozzle - 0.8 mm (cylindrical)	1
	LV332-1993V <b>NEW</b>		D5241993	L20757	Nozzle - 0.8 mm (cylindrical) (5 pack)	5
	LV332-5470		D7945470	L141	Nozzle - 1.0 mm (cylindrical)	1
	LV332-5470V		D7945470	L20141	Nozzle - 1.0 mm (cylindrical) (5 pack)	5
	LV332-0001		D5241982	L758	Nozzle - 1.2 mm (cylindrical)	1
	LV332-0001V <b>NEW</b>		D5241982	L20758	Nozzle - 1.2 mm (cylindrical) (5 pack)	5
	LV332-5434		D7945434	L142	Nozzle - 1.5 mm (cylindrical)	1
	LV332-5434V		D7945434	L20142	Nozzle - 1.5 mm (cylindrical) (5 pack)	5
	LV332-5452		D7945452	L143	Nozzle - 2.0 mm (cylindrical)	1
	LV332-5452V		D7945452	L20143	Nozzle - 2.0 mm (cylindrical) (5 pack)	5
	LV332-5517		D7945517	L144	Nozzle - 2.5 mm (cylindrical)	1
	LV332-5517V		D7945517	L20144	Nozzle - 2.5 mm (cylindrical) (5 pack)	5
	LV332-0002			L145	Nozzle - 3.0 mm (cylindrical)	1
	LV332-5518V <b>NEW</b>			L20145	Nozzle - 3.0 mm (cylindrical) (5 pack)	5
	LV332-1993CP		D5241993	L757X	Nozzle - 0.8 mm CP (cylindrical)	1
	LV332-1993CPV <b>NEW</b>		D5241993	L20757X	Nozzle - 0.8 mm CP (cylindrical) (5 pack)	5
	LV332-5470CP		D7945470	L141X	Nozzle - 1.0 mm CP (cylindrical)	1
	LV332-5470CPV <b>NEW</b>		D7945470	L20141X	Nozzle - 1.0 mm CP (cylindrical) (5 pack)	5
	LV332-0001CP		D5241982	L758X	Nozzle - 1.2 mm CP (cylindrical)	1
	LV332-0001CPV <b>NEW</b>		D5241982	L20758X	Nozzle - 1.2 mm CP (cylindrical) (5 pack)	5
	LV332-5434CP		D7945434	L142X	Nozzle - 1.5 mm CP (cylindrical)	1
	LV332-5434CPV <b>NEW</b>		D7945434	L20142X	Nozzle - 1.5 mm CP (cylindrical) (5 pack)	5
	LV332-5452CP		D7945452	L143X	Nozzle - 2.0 mm CP (cylindrical)	1
	LV332-5452CPV <b>NEW</b>		D7945452	L20143X	Nozzle - 2.0 mm CP (cylindrical) (5 pack)	5
	LV332-5517CP		D7945517	L144X	Nozzle - 2.5 mm CP (cylindrical)	1
	LV332-5517CPV <b>NEW</b>		D7945517	L20144X	Nozzle - 2.5 mm CP (cylindrical) (5 pack)	5
	LV332-0002CP			L145X	Nozzle - 3.0 mm CP (cylindrical)	1
	LV332-5518CPV <b>NEW</b>			L20145X	Nozzle - 3.0 mm CP (cylindrical) (5 pack)	5
4	PT347-4297		P0492-702-00001, 29100021	AL198	Insulating ring - plastic	1
	PT311-0001		P0492-702-00002	AL201	Insulating ring - plastic	1
5	AM326-6453		71366453	AL94	O-ring for outer nozzle	1
6	PT347-0101		P0360-100-00500, 46713300100	AL204	Sensor cable 500 mm KE (OEM)	1
	PT347-0450		P0497-002-00450	AL202	Sensor cable 450 mm (OEM)	1


**Consumables**

	Centricut part number	Reference number	Alternate reference	Description	Pkg qty
	LV332-1863	D5241863	L151	Nozzle - 1.0 mm HD (conical)	1
	LV332-1863V <b>NEW</b>	D5241863	L20151	Nozzle - 1.0 mm HD (conical) (5 pack)	5
	LV332-1982		L759	Nozzle - 1.2 mm HD (conical)	1
	LV332-1982V <b>NEW</b>		L20759	Nozzle - 1.2 mm HD (conical) (5 pack)	5
	LV332-1862	D5241862	L152	Nozzle - 1.5 mm HD (conical)	1
	LV332-1862V	D5241862	L20152	Nozzle - 1.5 mm HD (conical) (5 pack)	5
	LV332-2512	D5242512	L748	Nozzle - 1.7 mm HD (conical)	1
	LV332-2512V <b>NEW</b>	D5242512	L20748	Nozzle - 1.7 mm HD (conical) (5 pack)	5
	LV332-1855	D5241855	L146	Nozzle - 2.0 mm HD (conical)	1
	LV332-1855V	D5241855	L20146	Nozzle - 2.0 mm HD (conical) (5 pack)	5
	LV332-2513	D5242513, Z000000539D	L749	Nozzle - 2.3 mm HD (conical)	1
	LV332-2513V <b>NEW</b>	D5242513, Z000000539D	L20749	Nozzle - 2.3 mm HD (conical) (5 pack)	5
	LV332-1856	D5241856, Z000000563B	L147	Nozzle - 2.5 mm HD (conical)	1
	LV332-1856V	D5241856, Z000000563B	L20147	Nozzle - 2.5 mm HD (conical) (5 pack)	5
	LV332-1857	D5241857, Z000000540B	L148	Nozzle - 3.0 mm HD (conical)	1
	LV332-1857V <b>NEW</b>	D5241857, Z000000540B	L20148	Nozzle - 3.0 mm HD (conical) (5 pack)	5
	LV332-1877	D5241877, Z000000564B	L149	Nozzle - 3.5 mm HD (conical)	1
	LV332-1877V <b>NEW</b>	D5241877, Z000000564B	L20149	Nozzle - 3.5 mm HD (conical) (5 pack)	5
	LV332-1878	D5241878, Z000000565B	L283	Nozzle - 4.0 mm HD (conical)	1
	LV332-1878V <b>NEW</b>	D5241878, Z000000565B	L20283	Nozzle - 4.0 mm HD (conical) (5 pack)	5
	LV332-2531	D5242531, Z000000566B	L1303	Nozzle - 4.5 mm HD (conical)	1
	LV332-2531V <b>NEW</b>	D5242531, Z000000566B	L201303	Nozzle - 4.5 mm HD (conical) (5 pack)	5
1	LV332-2535	D5242535, Z000000567B	L1304	Nozzle - 5.0 mm HD (conical)	1
	LV332-2535V <b>NEW</b>	D5242535, Z000000567B	L201304	Nozzle - 5.0 mm HD (conical) (5 pack)	5
	LV332-2536	D5242536, Z000000568B	L1305	Nozzle - 6.0 mm HD (conical)	1
	LV332-2536V <b>NEW</b>	D5242536, Z000000568B	L201305	Nozzle - 6.0 mm HD (conical) (5 pack)	5
	LV332-1863CP	D5241863	L151X	Nozzle - 1.0 mm HD CP (conical)	1
	LV332-1863CPV <b>NEW</b>	D5241863	L20151X	Nozzle - 1.0 mm HD CP (conical) (5 pack)	5
	LV332-1982CP		L759X	Nozzle - 1.2 mm HD CP (conical)	1
	LV332-1982CPV <b>NEW</b>		L20759X	Nozzle - 1.2 mm HD CP (conical) (5 pack)	5
	LV332-1862CP	D5241862	L152X	Nozzle - 1.5 mm HD CP (conical)	1
	LV332-1862CPV <b>NEW</b>	D5241862	L20152X	Nozzle - 1.5 mm HD CP (conical) (5 pack)	5
	LV332-2512CP	D5242512	L748X	Nozzle - 1.7 mm HD CP (conical)	1
	LV332-2512CPV <b>NEW</b>	D5242512	L20748X	Nozzle - 1.7 mm HD CP (conical) (5 pack)	5
	LV332-1855CP	D5241855	L146X	Nozzle - 2.0 mm HD CP (conical)	1
	LV332-1855CPV <b>NEW</b>	D5241855	L20146X	Nozzle - 2.0 mm HD CP (conical) (5 pack)	5
	LV332-2513CP	D5242513	L749X	Nozzle - 2.3 mm HD CP (conical)	1
	LV332-2513CPV <b>NEW</b>	D5242513	L20749X	Nozzle - 2.3 mm HD CP (conical) (5 pack)	5
	LV332-1856CP	D5241856	L147X	Nozzle - 2.5 mm HD CP (conical)	1
	LV332-1856CPV <b>NEW</b>	D5241856	L20147X	Nozzle - 2.5 mm HD CP (conical) (5 pack)	5
	LV332-1857CP	D5241857	L148X	Nozzle - 3.0 mm HD CP (conical)	1
	LV332-1857CPV <b>NEW</b>	D5241857	L20148X	Nozzle - 3.0 mm HD CP (conical) (5 pack)	5
	LV332-1877CP	D5241877	L149X	Nozzle - 3.5 mm HD CP (conical)	1
	LV332-1877CPV <b>NEW</b>	D5241877	L20149X	Nozzle - 3.5 mm HD CP (conical) (5 pack)	5
	LV332-1878CP	D5241878	L283X	Nozzle - 4.0 mm HD CP (conical)	1
	LV332-1878CPV <b>NEW</b>	D5241878	L20283X	Nozzle - 4.0 mm HD CP (conical) (5 pack)	5
2	LV332-2453	D5242453A	L152-S	Nozzle - 1.5 mm HD	1
	LV332-2454	D5242454A	L146-S	Nozzle - 2.0 mm HD	1
	LV332-2416	D5242416A	L147-S	Nozzle - 2.5 mm HD	1
	LV332-2455	D5242455 A	L148-S	Nozzle - 3.0 mm HD	1

Centricut is not affiliated with the named manufacturers. Reference to machines, parts, descriptions, and model numbers are for convenience in verifying compatibility only. All parts are made by or for Centricut and are not made by the referenced manufacturers (unless expressly indicated). Centricut is a registered trademark of Hypertherm, Inc. All other trademarks are the properties of their respective owners.


**Consumables**

	Centricut part number	Reference number	Alternate reference	Description	Pkg qty
1	LV332-0013	G8040180	L1290	Nozzle - 2.5 mm double w/spring 1.3 mm inner	1
	LV332-0180	G8040135	L1291	Nozzle - 2.5 mm double w/spring 1.5 mm inner	1
	LV332-3013	G8040182	L1293	Nozzle - 3.0 mm double w/spring 1.3 mm inner	1
	LV332-3015		L1294	Nozzle - 3.0 mm double w/spring 1.5 mm inner	1
	LV332-0132	G8040132	L1292	Nozzle - 3.0 mm double w/spring 2.0 mm inner	1
	LV332-0013CP	G8040180	L1290X	Nozzle - 2.5 mm double w/spring 1.3 mm inner CP	1
	LV332-0180CP	G8040135	L1291X	Nozzle - 2.5 mm double w/spring 1.5 mm inner CP	1
	LV332-3013CP	G8040182	L1293X	Nozzle - 3.0 mm double w/spring 1.3 mm inner CP	1
	LV332-3015CP		L1294X	Nozzle - 3.0 mm double w/spring 1.5 mm inner CP	1
LV332-0132CP	G8040132	L1292X	Nozzle - 3.0 mm double w/spring 2.0 mm inner CP	1	
2	LV417-0001	Centricut design	L783	Nozzle - 1.0 mm double	1
	LV417-0002	Centricut design	L782	Nozzle - 1.2 mm double	1
	LV417-0003	Centricut design	L784	Nozzle - 1.5 mm double	1
	LV417-0004	Centricut design	L785	Nozzle - 2.0 mm double	1
	LV410-0180	Centricut design	L786	Nozzle - 2.5 mm double	1
	LV417-0006	Centricut design	L787	Nozzle - 3.0 mm double	1
	LV417-0007	Centricut design	L788	Nozzle - 3.5 mm double	1
	LV417-0008	Centricut design	L789	Nozzle - 4.0 mm double	1
	LV417-0001CP	Centricut design	L783X	Nozzle - 1.0 mm double CP	1
	LV417-0002CP	Centricut design	L782X	Nozzle - 1.2 mm double CP	1
	LV417-0003CP	Centricut design	L784X	Nozzle - 1.5 mm double CP	1
	LV417-0004CP	Centricut design	L785X	Nozzle - 2.0 mm double CP	1
	LV417-0005CP	Centricut design	L786X	Nozzle - 2.5 mm double CP	1
	LV417-0006CP	Centricut design	L787X	Nozzle - 3.0 mm double CP	1
LV417-0007CP	Centricut design	L788X	Nozzle - 3.5 mm double CP	1	
LV417-0008CP	Centricut design	L789X	Nozzle - 4.0 mm double CP	1	
3	LV332-1297	Z000001297	L885	Nozzle - 4.0 mm double - w/2.0 mm inner	1
	LV332-1344	Z000001344	L886	Nozzle - 5.0 mm double - w/2.0 mm inner	1
	LV332-0130	Z000000223A	L791	Nozzle - 3.0 mm double	1
	LV332-0131	G8040131	L790	Nozzle - 3.0 mm double	1

**Optics**

Centricut part number	Reference number	Type	Diameter	Focal length	Edge thickness
<b>Lenses</b>					
LV333-0023	29100023	MEN	1.5"	5.0"	.290"
LV333-0176	480176	MEN	1.75"	5.0"	.354"
LV333-6326	206326	MEN	2.0"	5.0"	.354"
LV333-1004	458138	MEN	2.0"	5.0"	.380"
LV333-1005	291005-5	MEN	2.0"	7.5"	.380"
LV333-1551	981551	MEN	2.0"	10.0"	.378"
<b>Ultra low absorption lenses</b>					
LV333-0023MP5	29100023	MEN	1.5"	5.0"	.290"
LV333-1005MP5	291005-5	MEN	1.5"	7.5"	.380"

**Optics care**

Centricut part number	Reference number	Description	Pkg qty
TR300-6452	N/A	Lens cleaning paper, Tiffen – 50 piece	1
AM313-SC50	SC50	Lens cleaning paper, Tresor – 50 piece	1
TR300-1115		Lens cleaning pre-cut cotton – 80 piece	1
TR300-SC20		Cotton swab – 20 piece	1
TR300-1010	AL1010	Dropper, lens cleaning fluid	1
TR300-1112		Optical cleaning fluid	1
TR300-0699	70675699 REVA	Lens Cleaning Swabs (25 pack)	1
TR300-7991	027991	Polyester Wipes 4" x 4"	1
TR301-0282		Injector	1
TR300-LSA		Lens stress analyzer	1
TR300-255	AL255	Loupe, magnifying	1
TR300-271	AL271	Base, lens maintenance	1
TR300-7388	787388	Mirror polish (250 ml)	1

## Technical support

- Our technical service team can answer questions about any laser or plasma cutting system. Whether it's a question about a part, a system, or for guidance on how to optimize performance, our experts can help.
- We stand behind our products with industry-leading technical expertise
- OEM trained technicians on staff with over 25 years experience



**HELPING YOU  
SHAPE THE WORLD.**



PLASMA | LASER | WATERJET | AUTOMATION | SOFTWARE | CONSUMABLES

For more information on Centricut laser products, visit  
[www.hypertherm.com/centricut/laser](http://www.hypertherm.com/centricut/laser)

Hypertherm, Centricut, SilverLine and CoolFlow are trademarks of Hypertherm Inc., and may be registered in the United States and/or other countries. All other trademarks are the property of their respective owners.

One of Hypertherm's long-standing core values is a focus on minimizing our impact on the environment. Doing so is critical to our, and our customers' success. We are always striving to become better environmental stewards; it is a process we care deeply about.

© 12/2016 Hypertherm Inc.



**Hypertherm**<sup>®</sup>  
SHAPING POSSIBILITY™

