



2017 catalog

For CO₂ and fiber laser consumables

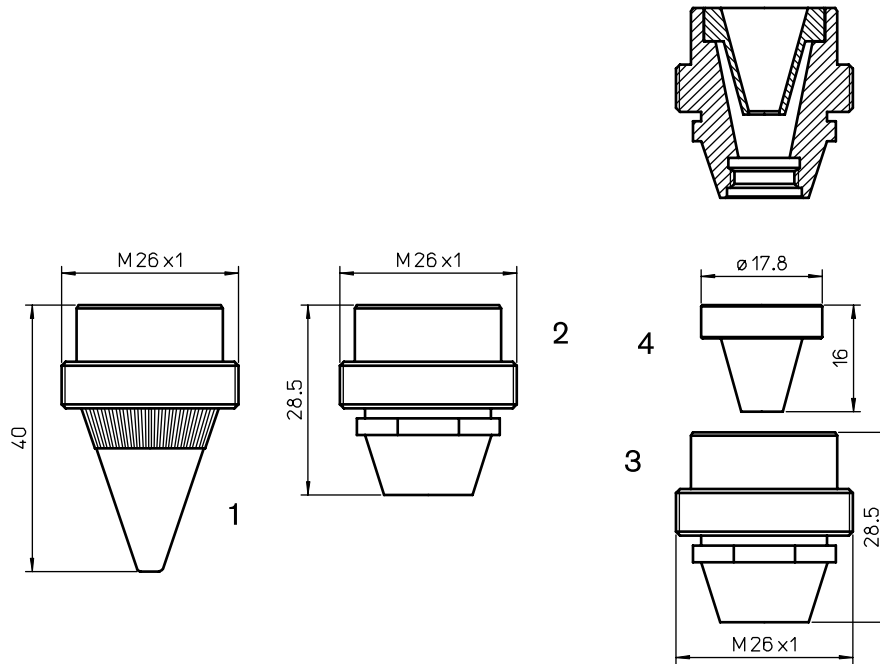
Replacements parts suitable for Mazak®



Our value proposition

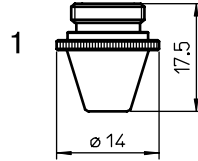
- Product breadth – with over 2,800 part numbers
- OEM quality/consistency for nozzles, ceramics and optics
- Technical/application support from OEM-trained technicians
- 100% satisfaction guarantee





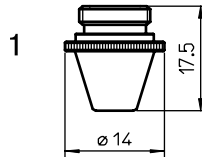
Consumables

	Centricut part number	Reference number	Alternate reference	Description	Pkg qty
1	MZ323-0060-1.0	46523300060	L61	Nozzle - 1.0 mm	1
	MZ323-0062-1.2	46523300062	L60	Nozzle - 1.2 mm	1
	MZ323-0061-1.5	46523300061	L84	Nozzle - 1.5 mm	1
	MZ323-0061-1.7	46523300061	L4	Nozzle - 1.7 mm	1
	MZ323-0018		L331	Nozzle - 1.8 mm	1
	MZ323-0063-2.0	46523300063	L51	Nozzle - 2.0 mm	1
	MZ323-0063-2.5	46523300063	L333	Nozzle - 2.5 mm	1
2	MZ321-0510	46603350510	AL11	Nozzle adapter	1
3	MZ321-0001	Centricut design	AL44	Nozzle adapter	1
4	MZ321-0045	Centricut design	AL45	Nozzle, inner	1

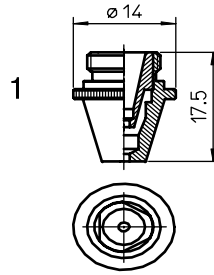


Consumables

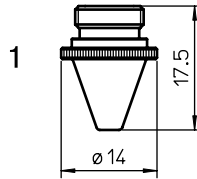
Centricut part number	Reference number	Alternate reference	Description	Pkg qty
MZ322-0008	46603350508	L78	Nozzle - 0.8 mm	1
MZ322-0008X	46603350508	L3078	Nozzle - 0.8 mm (10 pack)	10
MZ322-0511-1.0	46603350511	L69	Nozzle - 1.0 mm	1
MZ322-0511X	46603350511	L3069	Nozzle - 1.0 mm (10 pack)	10
MZ322-0512-1.2	46603350512	L77	Nozzle - 1.2 mm	1
MZ322-0512X	46603350512	L3077	Nozzle - 1.2 mm (10 pack)	10
MZ322-0520-1.5	4660335052B	L127	Nozzle - 1.5 mm	1
PT322-0520X	4660335052B	L30127	Nozzle - 1.5 mm (10 pack)	10
MZ322-0517-1.7	46603350517	L79	Nozzle - 1.7 mm	1
MZ322-1517X	46603350517	L3079	Nozzle - 1.7 mm (10 pack)	10
MZ322-0517	46603350517-1.8	L281	Nozzle - 1.8 mm	1
MZ322-0517X	46603350517-1.8	L30281	Nozzle - 1.8 mm (10 pack)	10
MZ322-0522-2.0	4660335052C	L80	Nozzle - 2.0 mm	1
MZ322-0522X	4660335052C	L3080	Nozzle - 2.0 mm (10 pack)	10
MZ322-0022	46603350522-2.2	L282	Nozzle - 2.2 mm	1
MZ322-0022X	46603350522-2.2	L30282	Nozzle - 2.2 mm (10 pack)	10
MZ322-0525-2.5	46603350525	L124	Nozzle - 2.5 mm	1
MZ322-0025X	46603350525	L30124	Nozzle - 2.5 mm (10 pack)	10
MZ322-0530-3.0	46603350530	L150	Nozzle - 3.0 mm	1
MZ322-0030X	46603350530	L30150	Nozzle - 3.0 mm (10 pack)	10
MZ322-0530-3.5	46603350530-3.5	L708	Nozzle - 3.5 mm	1
MZ322-1035X	46603350530-3.5	L30708	Nozzle - 3.5 mm (10 pack)	10
MZ322-0530-4.0	46603350530-4.0	L709	Nozzle - 4.0 mm	1
MZ322-1040X	46603350530-4.0	L30709	Nozzle - 4.0 mm (10 pack)	10
MZ322-1045	46603350530-4.5	L710	Nozzle - 4.5 mm	1
MZ322-1045X	46603350530-4.5	L30710	Nozzle - 4.5 mm (10 pack)	10
MZ322-1050	46603350530-5.0	L711	Nozzle - 5.0 mm	1
MZ322-1050X	46603350530-5.0	L30711	Nozzle - 5.0 mm (10 pack)	10


Consumables

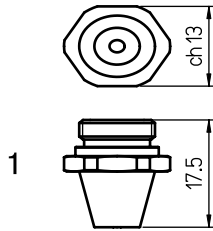
	Centricut part number	Reference number	Alternate reference	Description	Pkg qty
	MZ322-0008CP	46603350508	L78X	Nozzle - 0.8 mm CP	1
	MZ322-0008CPX	46603350508	L3078X	Nozzle - 0.8 mm CP (10 pack)	10
	MZ322-0511CP	46603350511	L69X	Nozzle - 1.0 mm CP	1
	MZ322-0511CPX	46603350511	L3069X	Nozzle - 1.0 mm CP (10 pack)	10
	MZ322-0512CP	46603350512	L77X	Nozzle - 1.2 mm CP	1
	MZ322-0512CPX	46603350512	L3077X	Nozzle - 1.2 mm CP (10 pack)	10
	MZ322-0520CP	4660335052B	L127X	Nozzle - 1.5 mm CP	1
	PT322-0520CPX	4660335052B	L30127X	Nozzle - 1.5 mm CP (10 pack)	10
	MZ322-1517CP	46603350517	L79X	Nozzle - 1.7 mm CP	1
	MZ322-1517CPX	46603350517	L3079X	Nozzle - 1.7 mm CP (10 pack)	10
	MZ322-0517CP	46603350517-1.8	L281X	Nozzle - 1.8 mm CP	1
	MZ322-0517CPX	46603350517-1.8	L30281X	Nozzle - 1.8 mm CP (10 pack)	10
	MZ322-0522CP	4660335052C	L80X	Nozzle - 2.0 mm CP	1
1	MZ322-0522CPX	4660335052C	L3080X	Nozzle - 2.0 mm CP (10 pack)	10
	MZ322-0022CP	46603350522-2.2	L282X	Nozzle - 2.2 mm CP	1
	MZ322-0022CPX	46603350522-2.2	L30282X	Nozzle - 2.2 mm CP (10 pack)	10
	MZ322-0025CP	46603350525	L124X	Nozzle - 2.5 mm CP	1
	MZ322-0025CPX	46603350525	L30124X	Nozzle - 2.5 mm CP (10 pack)	10
	MZ322-0030CP	46603350530	L150X	Nozzle - 3.0 mm CP	1
	MZ322-0030CPX	46603350530	L30150X	Nozzle - 3.0 mm CP (10 pack)	10
	MZ322-1035CP	46603350530-3.5	L708X	Nozzle - 3.5 mm CP	1
	MZ322-1035CPX	46603350530-3.5	L30708X	Nozzle - 3.5 mm CP (10 pack)	10
	MZ322-1040CP	46603350530-4.0	L709X	Nozzle - 4.0 mm CP	1
	MZ322-1040CPX	46603350530-4.0	L30709X	Nozzle - 4.0 mm CP (10 pack)	10
	MZ322-1045CP	46603350530-4.5	L710X	Nozzle - 4.5 mm CP	1
	MZ322-1045CPX	46603350530-4.5	L30710X	Nozzle - 4.5 mm CP (10 pack)	10
	MZ322-1050CP	46603350530-5.0	L711X	Nozzle - 5.0 mm CP	1
	MZ322-1050CPX	46603350530-5.0	L30711X	Nozzle - 5.0 mm CP (10 pack)	10


Consumables

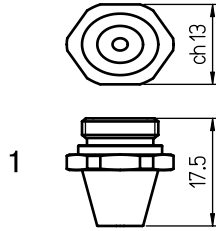
Centricut part number	Reference number	Alternate reference	Description	Pkg qty
MZ346-0001	Centricut design	L615	Nozzle – 1.0 mm double	1
MZ346-0001X	Centricut design	L30615	Nozzle – 1.0 mm double (10 pack)	10
MZ346-0002	Centricut design	L616	Nozzle – 1.2 mm double	1
MZ346-0002X	Centricut design	L30616	Nozzle – 1.2 mm double (10 pack)	10
MZ346-0003	Centricut design	L617	Nozzle – 1.5 mm double	1
MZ346-0003X	Centricut design	L30617	Nozzle – 1.5 mm double (10 pack)	10
MZ346-0004	Centricut design	L618	Nozzle – 1.7 mm double	1
MZ346-0004X	Centricut design	L30618	Nozzle – 1.7 mm double (10 pack)	10
MZ346-0005	Centricut design	L619	Nozzle – 1.8 mm double	1
MZ346-0005X	Centricut design	L30619	Nozzle – 1.8 mm double (10 pack)	10
MZ346-0006	Centricut design	L620	Nozzle – 2.0 mm double	1
MZ346-0006X	Centricut design	L30620	Nozzle – 2.0 mm double (10 pack)	10
MZ346-0007	Centricut design	L621	Nozzle – 2.2 mm double	1
MZ346-0007X	Centricut design	L30621	Nozzle – 2.2 mm double (10 pack)	10
MZ346-0008	Centricut design	L622	Nozzle – 2.5 mm double	1
MZ346-0008X	Centricut design	L30622	Nozzle – 2.5 mm double (10 pack)	10
MZ346-0009	Centricut design	L623	Nozzle – 3.0 mm double	1
MZ346-0009X	Centricut design	L30623	Nozzle – 3.0 mm double (10 pack)	10
MZ346-0001CP	Centricut design	L615X	Nozzle – 1.0 mm CP double	1
MZ346-0001CPX	Centricut design	L30615X	Nozzle – 1.0 mm CP double (10 pack)	10
MZ346-0002CP	Centricut design	L616X	Nozzle – 1.2 mm CP double	1
MZ346-0002CPX	Centricut design	L30616X	Nozzle – 1.2 mm CP double (10 pack)	10
MZ346-0003CP	46683302380	L617X	Nozzle – 1.5 mm CP double	1
MZ346-0003CPX	Centricut design	L30617X	Nozzle – 1.5 mm CP double (10 pack)	10
MZ346-0004CP	Centricut design	L618X	Nozzle – 1.7 mm CP double	1
MZ346-0004CPX	Centricut design	L30618X	Nozzle – 1.7 mm CP double (10 pack)	10
MZ346-0005CP	Centricut design	L619X	Nozzle – 1.8 mm CP double	1
MZ346-0005CPX	Centricut design	L30619X	Nozzle – 1.8 mm CP double (10 pack)	10
MZ346-0006CP	46683302390	L620X	Nozzle – 2.0 mm CP double	1
MZ346-0006CPX	Centricut design	L30620X	Nozzle – 2.0 mm CP double (10 pack)	10
MZ346-0007CP	Centricut design	L621X	Nozzle – 2.2 mm CP double	1
MZ346-0007CPX	Centricut design	L30621X	Nozzle – 2.2 mm CP double (10 pack)	10
MZ346-0008CP	46683302400	L622X	Nozzle – 2.5 mm CP double	1
MZ346-0008CPX	Centricut design	L30622X	Nozzle – 2.5 mm CP double (10 pack)	10
MZ346-0009CP	46683302410	L623X	Nozzle – 3.0 mm CP double	1
MZ346-0009CPX	Centricut design	L30623X	Nozzle – 3.0 mm CP double (10 pack)	10


Consumables

	Centricut part number	Reference number	Alternate reference	Description	Pkg qty
	MZ321-0521-0.8	46603350521	L266	Nozzle - 0.8 mm	1
	MZ321-0008X	46603350521	L30266	Nozzle - 0.8 mm (10 pack)	10
	MZ321-0521-1.0	46603350521	L250	Nozzle - 1.0 mm	1
	MZ321-0010X	46603350521	L30250	Nozzle - 1.0 mm (10 pack)	10
	MZ321-0521-1.2	46603350521	L251	Nozzle - 1.2 mm	1
	MZ321-0012X	46603350521	L30251	Nozzle - 1.2 mm (10 pack)	10
	MZ321-0520-1.5	46603350520	L252	Nozzle - 1.5 mm	1
	MZ321-0520X	46603350520	L30252	Nozzle - 1.5 mm (10 pack)	10
	MZ321-0521-1.7	46603350521	L253	Nozzle - 1.7 mm	1
	MZ321-0017X	46603350521	L30253	Nozzle - 1.7 mm (10 pack)	10
	MZ321-0522-2.0	46603350522	L254	Nozzle - 2.0 mm	1
	MZ321-0054X	46603350522	L30254	Nozzle - 2.0 mm (10 pack)	10
	MZ321-0522-2.5	46603350522	L770	Nozzle - 2.5 mm	1
	MZ321-1025X	46603350522	L30770	Nozzle - 2.5 mm (10 pack)	10
	MZ321-0522-3.0	46683301281	L771	Nozzle - 3.0 mm	1
	MZ321-1030X	46683301281	L30771	Nozzle - 3.0 mm (10 pack)	10
1	MZ321-0008CP	46603350521	L266X	Nozzle - 0.8 mm CP	1
	MZ321-0008CPX	46603350521	L30266X	Nozzle - 0.8 mm CP (10 pack)	10
	MZ321-0010CP	46603350521	L250X	Nozzle - 1.0 mm CP	1
	MZ321-0010CPX	46603350521	L30250X	Nozzle - 1.0 mm CP (10 pack)	10
	MZ321-521-1.2CP	46603350521	L251X	Nozzle - 1.2 mm CP	1
	MZ321-0012CPX	46603350521	L30251X	Nozzle - 1.2 mm CP (10 pack)	10
	MZ321-520-1.5CP	46603350520	L252X	Nozzle - 1.5 mm CP	1
	MZ321-0520CPX	46603350520	L30252X	Nozzle - 1.5 mm CP (10 pack)	10
	MZ321-0017CP	46603350521	L253X	Nozzle - 1.7 mm CP	1
	MZ321-0017CPX	46603350521	L30253X	Nozzle - 1.7 mm CP (10 pack)	10
	MZ321-522-2.0CP	46603350522	L254X	Nozzle - 2.0 mm CP	1
	MZ321-0054CPX	46603350522	L30254X	Nozzle - 2.0 mm CP (10 pack)	10
	MZ321-522-2.5CP	46603350522	L770X	Nozzle - 2.5 mm CP	1
	MZ321-1025CPX	46603350522	L30770X	Nozzle - 2.5 mm CP (10 pack)	10
	MZ321-522-3.0CP	46683301281	L771X	Nozzle - 3.0 mm CP	1
	MZ321-1030CPX	46683301281	L30771X	Nozzle - 3.0 mm CP (10 pack)	10

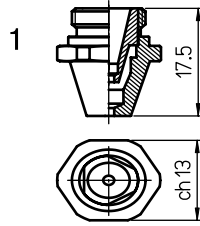

Consumables

	Centricut part number	Reference number	Alternate reference	Description	Pkg qty
	MZ385-0508	46603350508	L725	Nozzle - 0.8 mm hex	1
	MZ385-0508X	46603350508	L30725	Nozzle - 0.8 mm hex (10 pack)	10
	MZ385-0511	46603350511	L726	Nozzle - 1.0 mm hex	1
	MZ385-0511X	46603350511	L30726	Nozzle - 1.0 mm hex (10 pack)	10
	MZ385-5052	4660335052A	L727	Nozzle - 1.2 mm hex	1
	MZ385-5052X	4660335052A	L30727	Nozzle - 1.2 mm hex (10 pack)	10
	MZ385-5052B	4660335052B	L728	Nozzle - 1.5 mm hex	1
	MZ385-5052BX	4660335052B	L30728	Nozzle - 1.5 mm hex (10 pack)	10
	MZ385-0517	46603350517	L729	Nozzle - 1.7 mm hex	1
	MZ385-0517X	46603350517	L30729	Nozzle - 1.7 mm hex (10 pack)	10
	MZ385-517	46603350517-1.8	L730	Nozzle - 1.8 mm hex	1
	MZ385-517X	46603350517-1.8	L30730	Nozzle - 1.8 mm hex (10 pack)	10
1	MZ385-5052C	4660335052C	L731	Nozzle - 2.0 mm hex	1
	MZ385-5052CX	4660335052C	L30731	Nozzle - 2.0 mm hex (10 pack)	10
	MZ385-0522	46603350522-2.2	L732	Nozzle - 2.2 mm hex	1
	MZ385-0522X	46603350522-2.2	L30732	Nozzle - 2.2 mm hex (10 pack)	10
	MZ385-0003	4660335052D	L733	Nozzle - 2.5 mm hex	1
	MZ385-0003X	4660335052D	L30733	Nozzle - 2.5 mm hex (10 pack)	10
	MZ385-1003	46603350530	L734	Nozzle - 3.0 mm hex	1
	MZ385-1003X	46603350530	L30734	Nozzle - 3.0 mm hex (10 pack)	10
	MZ385-0030	46603350530-3.5	L735	Nozzle - 3.5 mm hex	1
	MZ385-0030X	46603350530-3.5	L30735	Nozzle - 3.5 mm hex (10 pack)	10
	MZ385-0530	46603350530-4.0	L736	Nozzle - 4.0 mm hex	1
	MZ385-0530X	46603350530-4.0	L30736	Nozzle - 4.0 mm hex (10 pack)	10
	MZ385-530	46603350530-4.5	L737	Nozzle - 4.5 mm hex	1
	MZ385-530X	46603350530-4.5	L30737	Nozzle - 4.5 mm hex (10 pack)	10

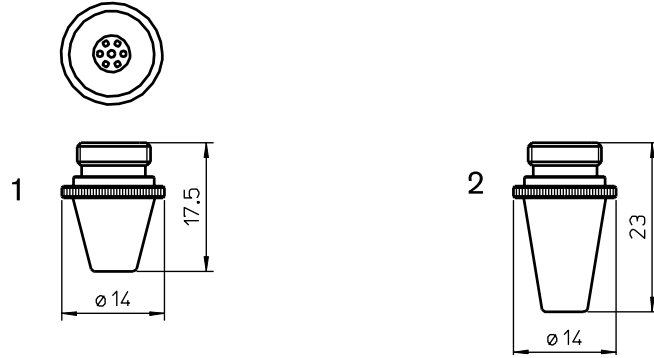


Consumables

	Centricut part number	Reference number	Alternate reference	Description	Pkg qty
1	MZ385-0508CP	46603350508	L725X	Nozzle - 0.8 mm hex CP	1
	MZ385-0508CPX	46603350508	L30725X	Nozzle - 0.8 mm hex CP (10 pack)	10
	MZ385-0511CP	46603350511	L726X	Nozzle - 1.0 mm hex CP	1
	MZ385-0511CPX	46603350511	L30726X	Nozzle - 1.0 mm hex CP (10 pack)	10
	MZ385-5052CP	4660335052A	L727X	Nozzle - 1.2 mm hex CP	1
	MZ385-5052CPX	4660335052A	L30727X	Nozzle - 1.2 mm hex CP (10 pack)	10
	MZ385-052CP	4660335052B	L728X	Nozzle - 1.5 mm hex CP	1
	MZ385-052CPX	4660335052B	L30728X	Nozzle - 1.5 mm hex CP (10 pack)	10
	MZ385-0517CP	46603350517	L729X	Nozzle - 1.7 mm hex CP	1
	MZ385-0517CPX	46603350517	L30729X	Nozzle - 1.7 mm hex CP (10 pack)	10
	MZ385-517CP	46603350517-1.8	L730X	Nozzle - 1.8 mm hex CP	1
	MZ385-517CPX	46603350517-1.8	L30730X	Nozzle - 1.8 mm hex CP (10 pack)	10
	MZ385-0052CP	4660335052C	L731X	Nozzle - 2.0 mm hex CP	1
	MZ385-0052CPX	4660335052C	L30731X	Nozzle - 2.0 mm hex CP (10 pack)	10
	MZ385-0522CP	46603350522-2.2	L732X	Nozzle - 2.2 mm hex CP	1
	MZ385-0522CPX	46603350522-2.2	L30732X	Nozzle - 2.2 mm hex CP (10 pack)	10
	MZ385-0003CP	4660335052D	L733X	Nozzle - 2.5 mm hex CP	1
	MZ385-0003CPX	4660335052D	L30733X	Nozzle - 2.5 mm hex CP (10 pack)	10
	MZ385-1003CP	46603350530	L734X	Nozzle - 3.0 mm hex CP	1
	MZ385-1003CPX	46603350530	L30734X	Nozzle - 3.0 mm hex CP (10 pack)	10
	MZ385-0030CP	46603350530-3.5	L735X	Nozzle - 3.5 mm hex CP	1
	MZ385-0030CPX	46603350530-3.5	L30735X	Nozzle - 3.5 mm hex CP (10 pack)	10
	MZ385-0530CP	46603350530-4.0	L736X	Nozzle - 4.0 mm hex CP	1
	MZ385-0530CPX	46603350530-4.0	L30736X	Nozzle - 4.0 mm hex CP (10 pack)	10
	MZ385-530CP	46603350530-4.5	L737X	Nozzle - 4.5 mm hex CP	1
	MZ385-530CPX	46603350530-4.5	L30737X	Nozzle - 4.5 mm hex CP (10 pack)	10

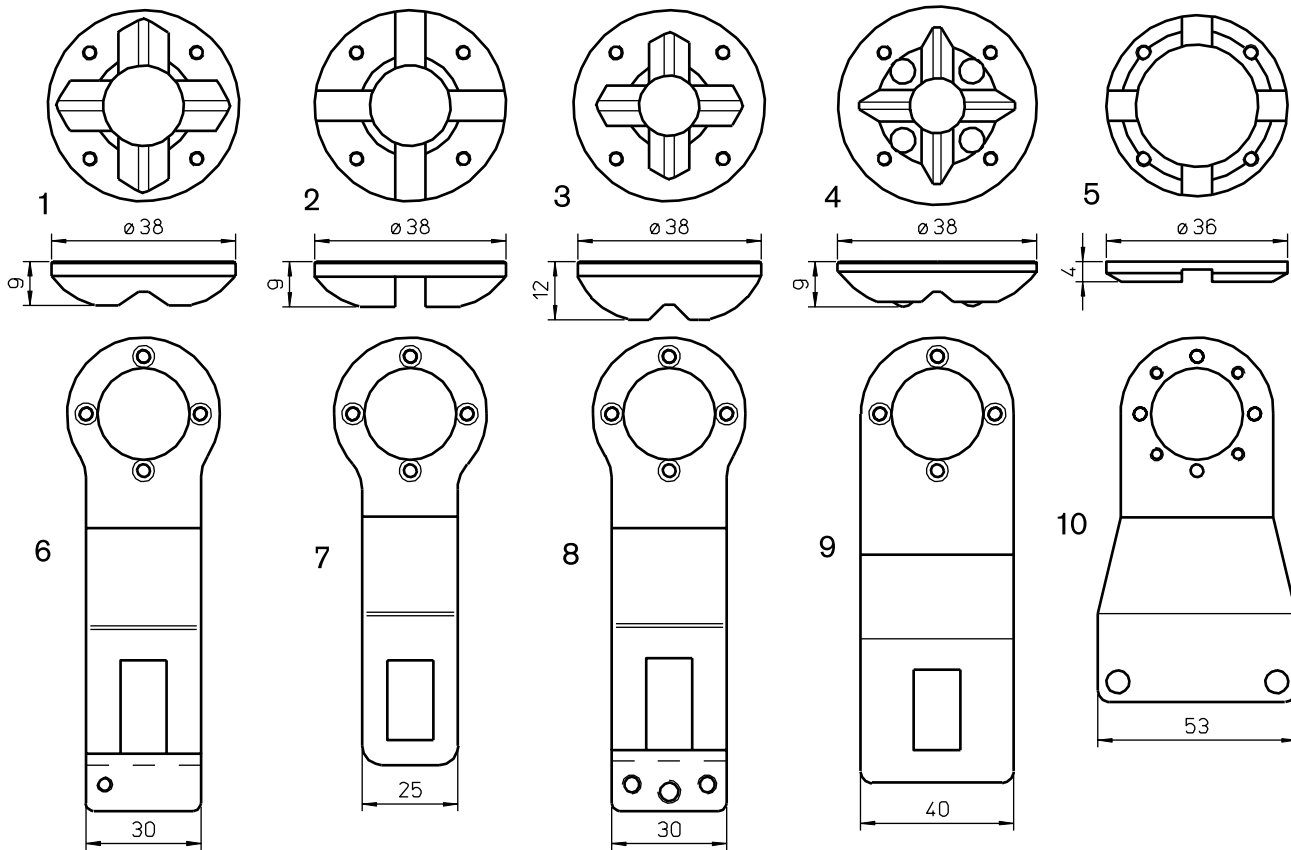

Consumables

	Centricut part number	Reference number	Alternate reference	Description	Pkg qty
	MZ419-0001		L1223	Nozzle - 1.2 mm double hex	1
	MZ419-0001X		L301223	Nozzle - 1.2 mm double hex (10 pack)	10
	MZ419-0002		L1224	Nozzle - 1.5 mm double hex	1
	MZ419-0002X		L301224	Nozzle - 1.5 mm double hex (10 pack)	10
	MZ419-0003		L1225	Nozzle - 1.8 mm double hex	1
	MZ419-0003X		L301225	Nozzle - 1.8 mm double hex (10 pack)	10
	MZ419-0004		L1226	Nozzle - 2.0 mm double hex	1
	MZ419-0004X		L301226	Nozzle - 2.0 mm double hex (10 pack)	10
	MZ419-0005		L1227	Nozzle - 2.2 mm double hex	1
	MZ419-0005X		L301227	Nozzle - 2.2 mm double hex (10 pack)	10
	MZ419-0006		L1228	Nozzle - 2.5 mm double hex	1
	MZ419-0006X		L301228	Nozzle - 2.5 mm double hex (10 pack)	10
	MZ419-0007		L1229	Nozzle - 3.0 mm double hex	1
	MZ419-0007X		L301229	Nozzle - 3.0 mm double hex (10 pack)	10
1	MZ419-0001CP		L1223X	Nozzle - 1.2 mm double hex CP	1
	MZ419-0001CPX		L301223X	Nozzle - 1.2 mm double hex CP (10 pack)	10
	MZ419-0002CP		L1224X	Nozzle - 1.5 mm double hex CP	1
	MZ419-0002CPX		L301224X	Nozzle - 1.5 mm double hex CP (10 pack)	10
	MZ419-0003CP		L1225X	Nozzle - 1.8 mm double hex CP	1
	MZ419-0003CPX		L301225X	Nozzle - 1.8 mm double hex CP (10 pack)	10
	MZ419-0004CP		L1226X	Nozzle - 2.0 mm double hex CP	1
	MZ419-0004CPX		L301226X	Nozzle - 2.0 mm double hex CP (10 pack)	10
	MZ419-0005CP		L1227X	Nozzle - 2.2 mm double hex CP	1
	MZ419-0005CPX		L301227X	Nozzle - 2.2 mm double hex CP (10 pack)	10
	MZ419-0006CP		L1228X	Nozzle - 2.5 mm double hex CP	1
	MZ419-0006CPX		L301228X	Nozzle - 2.5 mm double hex CP (10 pack)	10
	MZ419-0007CP		L1229X	Nozzle - 3.0 mm double hex CP	1
	MZ419-0007CPX		L301229X	Nozzle - 3.0 mm double hex CP (10 pack)	10



Consumables

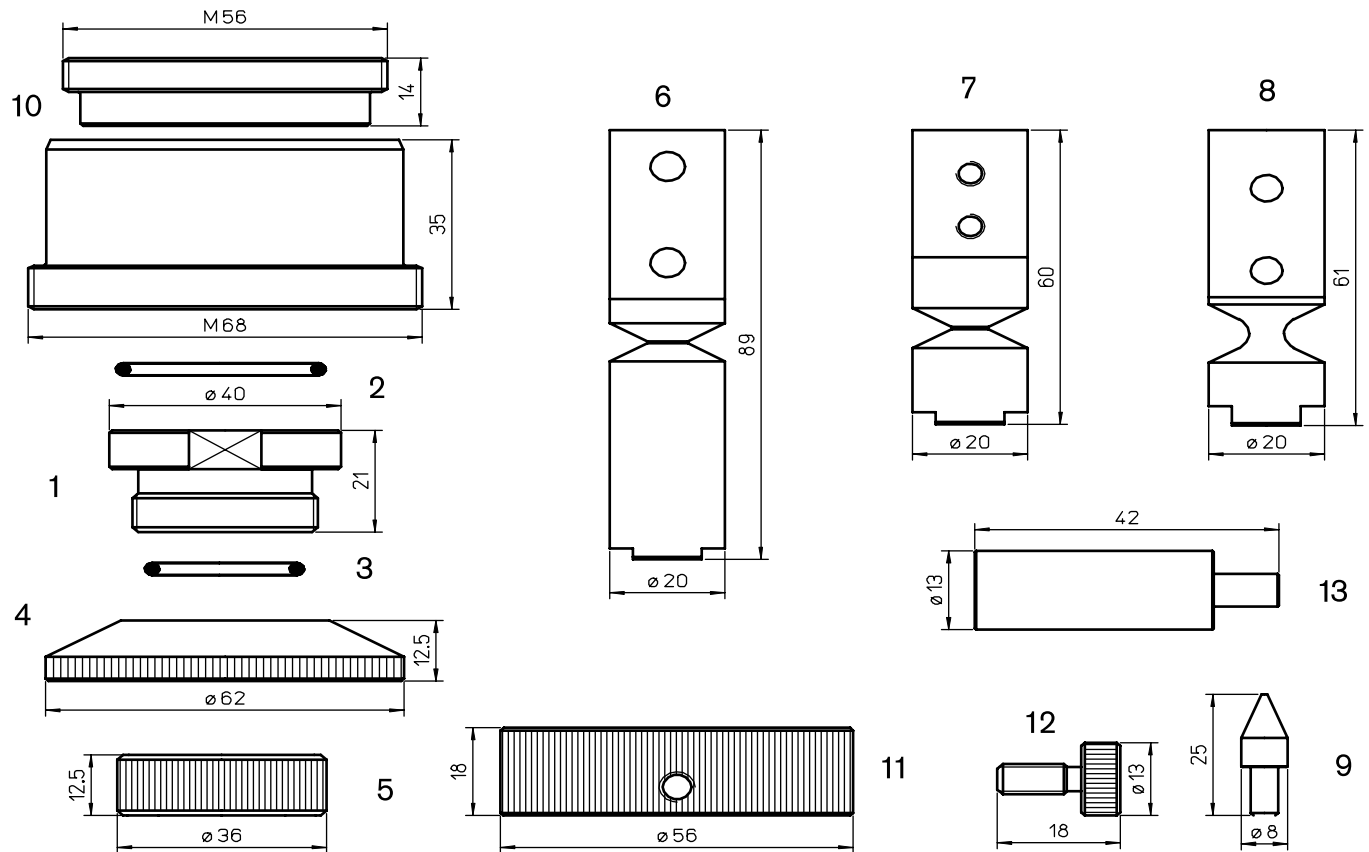
	Centricut part number	Reference number	Alternate reference	Description	Pkg qty
1	MZ322-0523	46603350523	L492	Nozzle - 1.0 mm shower	1
	MZ322-0523-1.5		L493	Nozzle - 1.5 mm shower	1
	MZ322-0523-2.0		L497	Nozzle - 2.0 mm shower	1
	MZ322-0001		L284	Nozzle - 2.0 mm long	1
	MZ332-0002		L285	Nozzle - 2.5 mm long	1
	MZ332-0003		L286	Nozzle - 3.0 mm long	1
2	MZ322-0015CP		L373X	Nozzle - 1.5 mm CP long	1
	MZ322-0001CP		L284X	Nozzle - 2.0 mm CP long	1
	MZ332-0002CP		L285X	Nozzle - 2.5 mm CP long	1
	MZ332-0003CP		L286X	Nozzle - 3.0 mm CP long	1



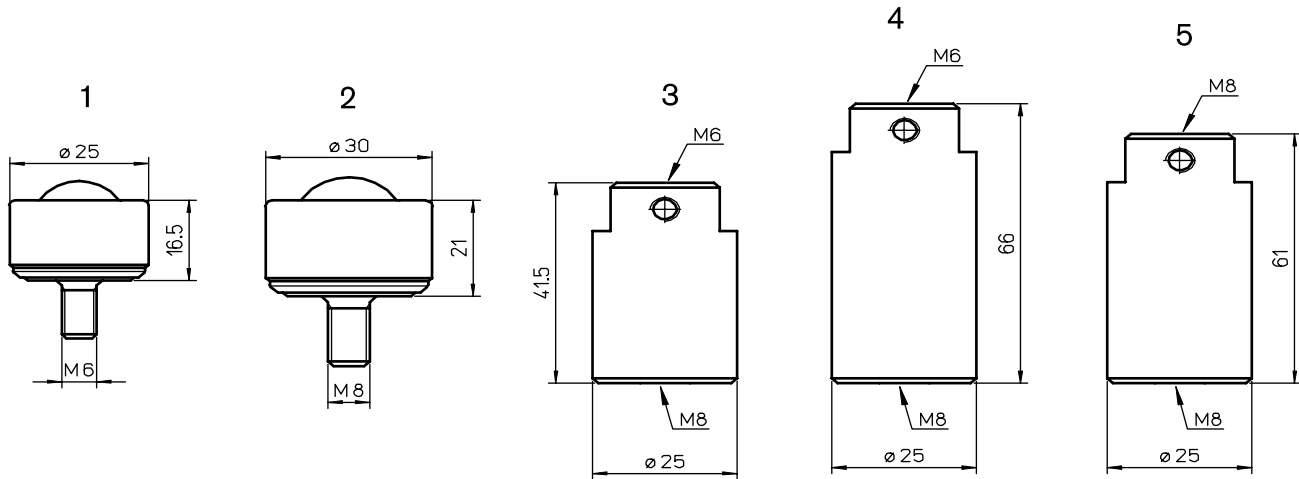
Accessories

	Centricut part number	Reference number	Alternate reference	Description	Pkg qty
1	MZ309-5080	46602350080	AL10	Stylus foot H9 – brass	1
	MZ309-5080CP		AL145	Stylus foot H9 – brass CP	1
	MZ309-1043	46572301043	AL15	Stylus foot H9 – steel	1
	MZ309-1045	46572301045	AL16	Stylus foot H9 – PTFE*	1
2	MZ309-0001		AL132	Stylus foot H9 – brass	1
	MZ309-0001CP		AL146	Stylus foot H9 – brass CP	1
	MZ309-0004		AL133	Stylus foot H9 – steel	1
3	MZ309-1041	46572301041	AL17	Stylus foot H12 – brass	1
	MZ309-1041CP		AL147	Stylus foot H12 – brass CP	1
	MZ309-1042	46572301042	AL59	Stylus foot H12 – steel	1
	MZ309-1041T	46572301041	AL18	Stylus foot H12 – PTFE*	1
4	MZ309-0003		AL39	Stylus foot – H9 brass w/ball bearing	1
5	MZ309-0520	46512300520	AL117	Stylus foot H4 – brass	1
6	MZ309-0005		AL64	Stylus arm w/screw M4	1
	MZ309-0580	36602300580	AL66	Stylus arm w/screw M6	1
7	MZ309-0560	36602300560, 36682300050	AL60	Stylus arm – steel	1
8	MZ309-0281	36682300281	AL167	Stylus arm – steel	1
9	MZ309-0020	36602350020	AL168	Stylus arm – large offset	1
10	MZ309-0250	46522300250	AL169	Stylus arm	1
	MZ309-001 (not shown)			Screws for stylus feet	10

*PolyTetraFluoroEthylene is a fluorocarbon-based polymer and is commonly abbreviated PTFE. The Teflon® brand of PTFE is manufactured only by DuPont and is not sold by Hypertherm. Hypertherm purchases other brands of PTFE from various high quality manufacturers.

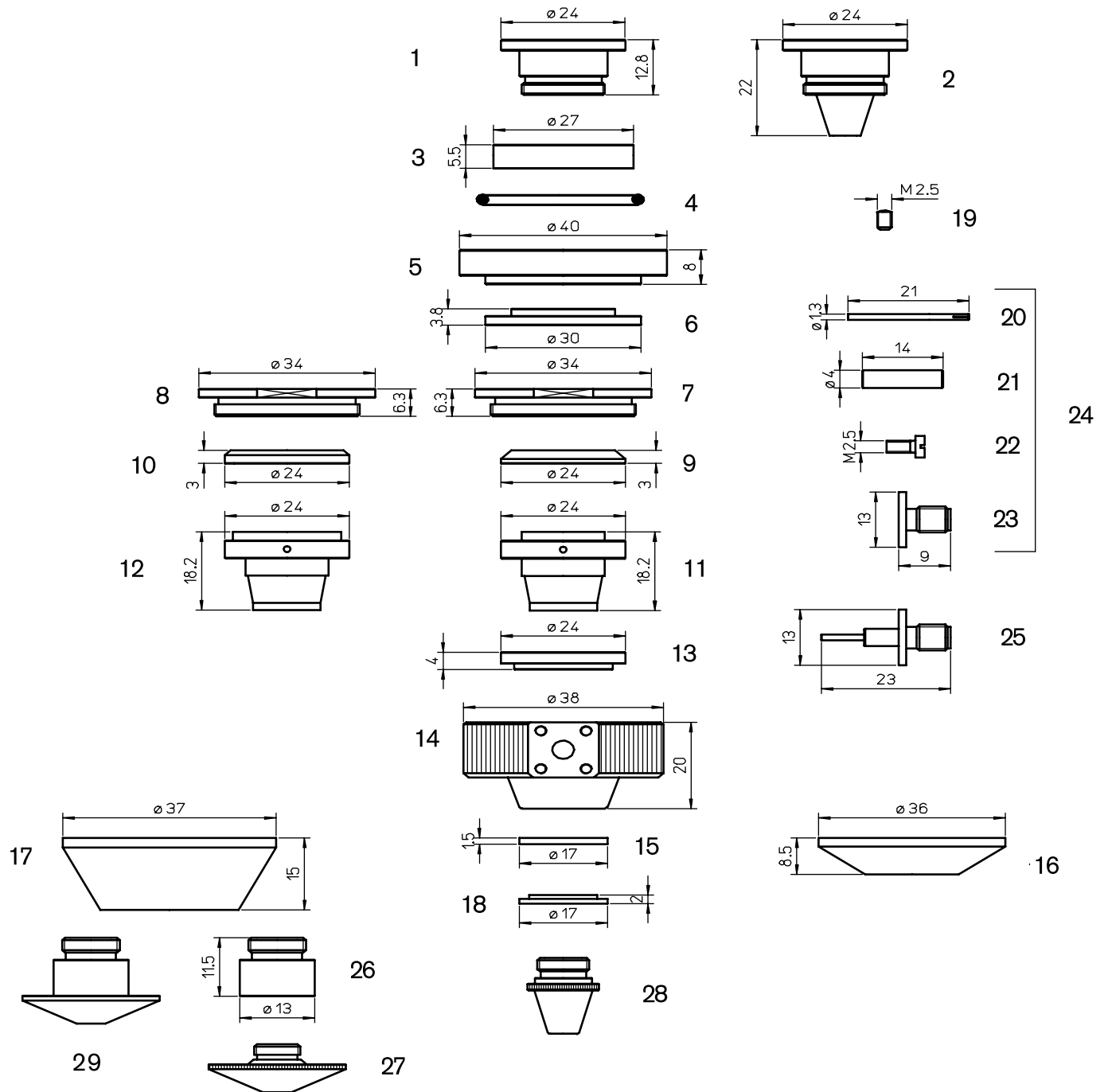

Accessories

	Centricut part number	Reference number	Alternate reference	Description	Pkg qty
1	MZ309-0080	46523300080	AL63	Base	1
2	MZ309-3200	J2600S03200	AL97	O-ring external base (rubber)	1
3	MZ309-2200	J2600S02200	AL98	O-ring internal base	1
4	MZ309-0030	46683300030	AL57	Retainer	1
5	MZ309-1720	46583301720	AL13	Retainer nut	1
6	MZ309-0550	36602300230	AL12	Break-away bar L89-M8	1
7	MZ309-0280	36682300280	AL14	Break-away bar L60-M8 (aluminum)	1
8	MZ309-0101	36572300101	AL121	Break-away bar L61-M6	1
9	MZ309-0013	46600030013	AL20	Table pin	5
10	MZ309-309-1		AL106	Housing for 2.0" lens	1
11	MZ335-0930	46683300930	AL153	Ring	1
	MZ335-0003		AL166	Ring kit - (MZ335-0930 and 4 x MZ335-0320)	1
12	MZ335-0320	46683300032	AL152	Mild steel bolt M5 x 0.5	1
13	MZ335-0008	46522300242	AL186	Stylus pin	1



Accessories

	Centricut part number	Reference number	Alternate reference	Description	Pkg qty
1	MZ309-Z580	Z21KV000580	AL61	Roller ball - 25 mm - M6	1
	MZ309-Z580X	Z21KV000580	AL3061	Roller ball - 25 mm - M6 (10 pack)	10
	MZ309-Z580B	Z21KV000580	AL325	Roller ball - 25 mm - M6	1
2	MZ309-1160	Z21ZZ001160	AL210	Roller ball - 30 mm - M8	1
3	MZ309-0321	46575100321	AL62	Block, stainless steel - 41.5 mm	1
4	MZ309-0050	46705100050	AL134	Block, stainless steel, long - 66 mm	1
5	MZ309-0324		AL324	Block, stainless steel - 61 mm	1



Consumables

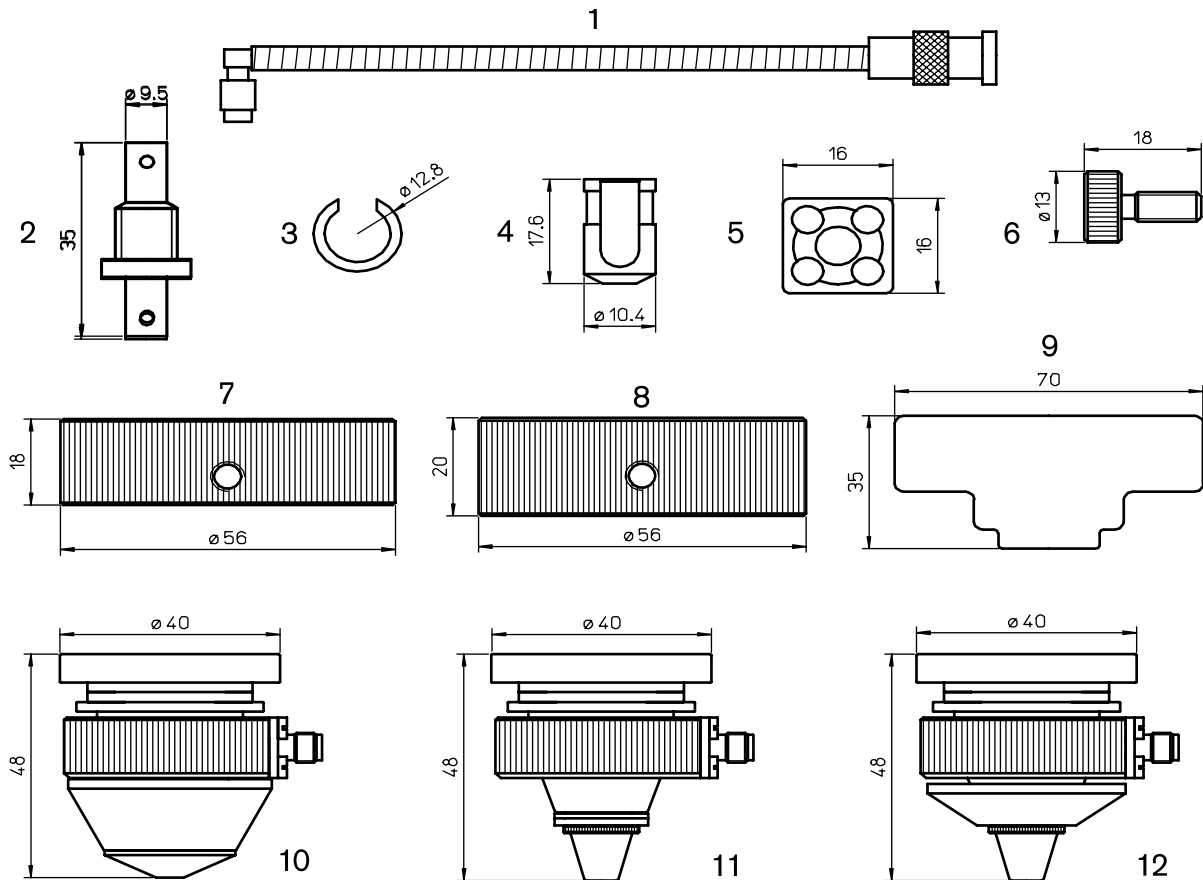
	Centricut part number	Reference number	Alternate reference	Description	Pkg qty
1	MZ335-1110	46683301110	AL74	Central copper body	1
2	MZ335-0100	Centricut design	AL112	Central copper body	1
3	MZ335-1080	46683301080, 46683302081	AL80	Spacer 27x5.5 - PTFE*	1
	MZ335-1080P	46683301080, 46683302081	AL80/P	Spacer 27x5.5 - plastic	1
	MZ335-1080C	46683301080, 46683302081	AL280	Spacer 27x5.5 - ceramic	1
	MZ335-1080M	46683301080, 46683302081	ALM280	Spacer 27x5.5 - ceramic	1
4	MZ309-3200	J2600S03200	AL97	O-ring external base - rubber	1
5	MZ335-1070	46683301070	AL84	Base - brass	1

Centricut is not affiliated with the named manufacturers. Reference to machines, parts, descriptions, and model numbers are for convenience in verifying compatibility only. All parts are made by or for Centricut and are not made by the referenced manufacturers (unless expressly indicated). Centricut is a registered trademark of Hypertherm, Inc. All other trademarks are the properties of their respective owners.

Consumables

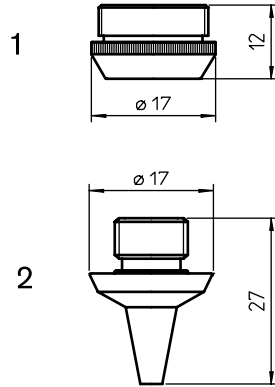
	Centricut part number	Reference number	Alternate reference	Description	Pkg qty
6	MZ335-1090	46683301090, 46683302091	AL79	Spacer 30x4 - PTFE*	1
	MZ335-0090C	46683301090, 46683302091	AL79/P	Spacer 30x4 - plastic	1
	MZ335-1090C	46683301090, 46683302091	AL279	Spacer 30x4 - ceramic	1
	MZ335-1090M	46683301090, 46683302091	ALM279	Spacer 30x4 - ceramic	1
7	MZ335-1100	46683301100	AL83	Nut - copper	1
8	MZ335-1101	46773300510	AL376	Nut - copper	1
9	MZ335-1120	46683301120	AL77	Spacer 24x3 - PTFE*	1
	MZ335-1120LL	46683301120	AL77/P	Spacer 24x3 - plastic	1
	MZ335-1120C	46683301120	AL277	Spacer 24x3 - ceramic	1
	MZ335-1120M	46683301120	ALM277	Spacer 24x3 - ceramic	1
10	MZ335-0710	46773300710	AL377	Spacer 24x3 - ceramic	1
	MZ335-0710M	46773300710	ALM377	Spacer 24x3 - ceramic	1
11	MZ335-0850	46683300850	AL75	Nozzle holder - copper	1
12	MZ335-0720	46773300720	AL253	Nozzle holder - copper	1
13	MZ335-1130	46683301130	AL78	Spacer 24x4 - PTFE*	1
	MZ335-1130LL	46683301130	AL78/P	Spacer 24x4 - plastic	1
	MZ335-1130C	46683301130	AL278	Spacer 24x4 - ceramic	1
	MZ335-1130M	46683301130	ALM278	Spacer 24x4 - ceramic	1
14	MZ335-1140	46683301140	AL73	Body - aluminum	1
15	MZ335-1150	46683301150	AL81	Spacer 17x1.5 - PTFE*	1
16	MZ335-1930	46683301930	AL111	Protection disk - PTFE*	1
	MZ335-1930LL	46683301930	AL111/P	Protection disk - plastic	1
	MZ335-0009	46683301930	AL275	Protection disk - ceramic	1
17	MZ335-1841	46683301841	AL118	Spacer - PTFE*	1
18	MZ335-1160	46683301160	AL82	Ring 17x2 - copper	1
19	MZ335-1180	46683301180	AL119	Screw for contact	1
20	MZ335-1170	46683301170	AL76	Contact	1
21	MZ335-0030		AL88	Connecting PTFE* pipe	1
22	MZ335-0000	46683300000	AL127	Screw for connectors (4 pcs)	4
23	MZ335-1113		AL113	Connector	1
24	MZ335-0001	46683301170	AL154	Kit connector (AL76,88,127,113)	1
25	MZ335-0001A		AL213	Connector assembly	1
26	MZ335-1830	46683301830	AL128	Adapter for Trumpf style nozzles	1
27	Please refer to the Trumpf nozzle section				
28	Please refer to the Mazak nozzle section				
29	Please refer to the Mazak nozzle section				

*PolyTetraFluoroEthylene is a fluorocarbon-based polymer and is commonly abbreviated PTFE. The Teflon® brand of PTFE is manufactured only by DuPont and is not sold by Hypertherm. Hypertherm purchases other brands of PTFE from various high quality manufacturers.


Consumables

	Centricut part number	Reference number	Alternate reference	Description	Pkg qty
1	MZ335-1980	46683301980	AL103	Connecting cable – sensor head (28 cm)	1
	MZ335-1330	46683301330	AL103/S	Connecting cable – sensor head (31 cm)	1
2	MZ335-0005		AL104	Cable adapter	1
3	MZ335-1870	46683301870	AL155	Cover clips – PTFE*	1
4	MZ335-1860	46683301860	AL156	Cable connector cover – PTFE*	1
	MZ335-1860LL	46683301860	AL156/P	Cable connector cover long life plastic	1
5	MZ335-1850	46683301850	AL157	Connector cover – PTFE*	1
	MZ335-1850P	46683301850	AL157/P	Connector cover long life – plastic	1
6	MZ335-0320	46683300032	AL152	Mild steel bolt M5 X 0.5	1
7	MZ335-0930	46683300930	AL153	Ring	1
	MZ335-0003		AL166	Ring kit (MZ335-0930 and 4 x MZ335-0320)	1
8	MZ335-0931		AL192	Ring H20	1
9	MZ335-1230	46683301230	AL165	Plate	1
10	MZ335-0002		TMA10	Head w/PTFE* spacer	1
	MZ335-0012		TMA10/P	Head w/long life spacer	1
	MZ335-1013		TMA10/C	Head w/ceramic spacer	1
11	MZ335-1014		TMA20	Head w/PTFE* spacer	1
	MZ335-0015		TMA20/P	Head w/long life spacer	1
12	MZ335-0016		TMA20/C	Head w/ceramic spacer	1
	MZ335-0017		TMA30	Head w/PTFE* spacer	1
12	MZ335-0018		TMA30/P	Head w/long life spacer	1
	MZ335-0019		TMA30/C	Head w/ceramic spacer	1

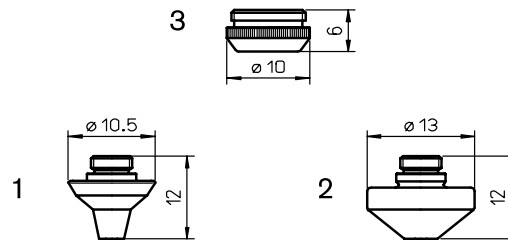
*PolyTetraFluoroEthylene is a fluorocarbon-based polymer and is commonly abbreviated PTFE. The Teflon® brand of PTFE is manufactured only by DuPont and is not sold by Hypertherm. Hypertherm purchases other brands of PTFE from various high quality manufacturers.



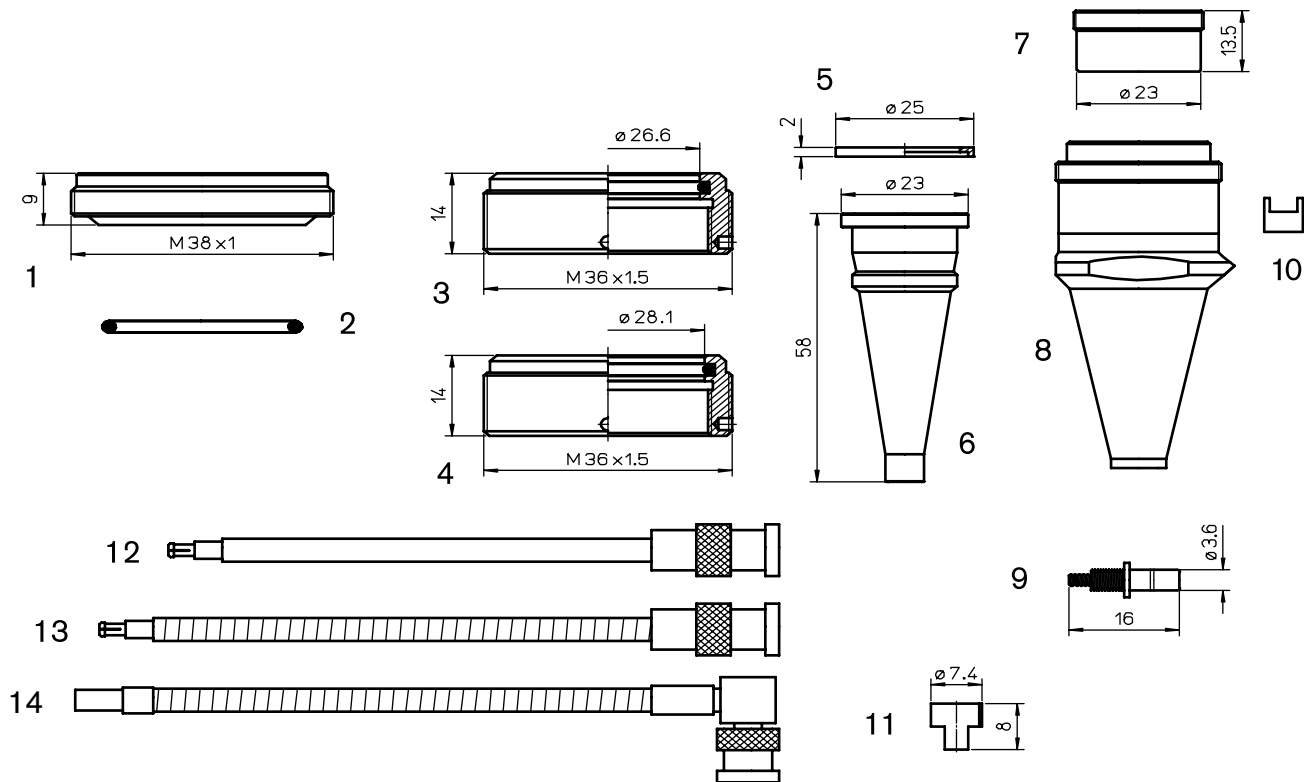
Consumables

	Centricut part number	Reference number	Alternate reference	Description	Pkg qty
1	MZ332-1280	46713331280	AL337	Nut - Vespel®	1
2	MZ332-1305		L1300	Nozzle - 1.0 mm 3D	1
	MZ332-1320	46713331320	L1295	Nozzle - 1.2 mm 3D	1
	MZ332-1310	46713331310	L1296	Nozzle - 1.5 mm 3D	1
	MZ332-1301		L1301	Nozzle - 1.8 mm 3D	1
	MZ332-1300	46713331300	L1297	Nozzle - 2.0 mm 3D	1
	MZ332-1330	46713331330	L1298	Nozzle - 2.5 mm 3D	1
	MZ332-1290	46713331290	L1299	Nozzle - 3.0 mm 3D	1

Mazak® 3D - Precitec® 5"C/MG - 5"H/MG


Consumables

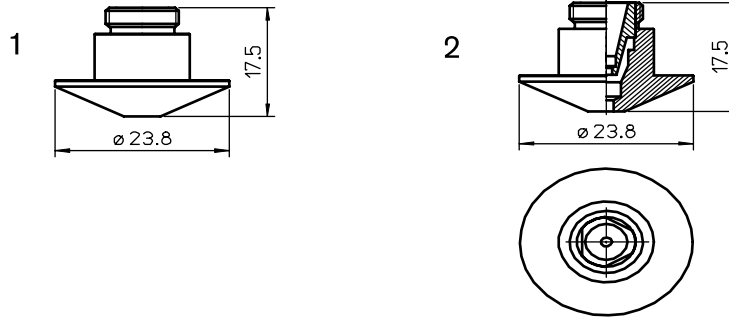
	Centricut part number	Reference number	Alternate reference	Description	Pkg qty
1	PT347-0005	46713300290-10	L554	Nozzle - 1.0 mm 3D	1
	PT347-0005X	46713300290-10	L30554	Nozzle - 1.0 mm 3D (10 pack)	10
	PT347-0290-1.2	46713300290-12	L555	Nozzle - 1.2 mm 3D	1
	PT347-0090X	46713300290-12	L30555	Nozzle - 1.2 mm 3D (10 pack)	10
	PT347-0290	46713300290-15, P0352-381-00015	L556	Nozzle - 1.5 mm 3D	1
	PT347-0290X	46713300290-15, P0352-381-00015	L30556	Nozzle - 1.5 mm 3D (10 pack)	10
	PT347-0118		L557	Nozzle - 1.8 mm 3D	1
	PT347-0118X		L30557	Nozzle - 1.8 mm 3D (10 pack)	10
	PT347-0280	46713300310, P0352-382-00020	L558	Nozzle - 2.0 mm 3D	1
	PT347-0280X	46713300310, P0352-382-00020	L30558	Nozzle - 2.0 mm 3D (10 pack)	10
	PT347-0001	46713300280-25	L560	Nozzle - 2.5 mm 3D	1
	PT347-0001X	46713300280-25	L30560	Nozzle - 2.5 mm 3D (10 pack)	10
	PT347-0002	46713300280-30, 46713300430	L563	Nozzle - 3.0 mm 3D	1
	PT347-0002X	46713300280-30	L30563	Nozzle - 3.0 mm 3D (10 pack)	10
	PT347-0035	46713300280-35	L564	Nozzle - 3.5 mm 3D	1
	PT347-0035X	46713300280-35	L30564	Nozzle - 3.5 mm 3D (10 pack)	10
2	PT347-0004		L576	Nozzle - 1.0 mm 2D	1
	PT347-0004X		L30576	Nozzle - 1.0 mm 2D (10 pack)	10
	PT347-0310-1.2	46713300310	L577	Nozzle - 1.2 mm 2D	1
	PT347-0012X	46713300310	L30577	Nozzle - 1.2 mm 2D (10 pack)	10
	PT347-0310	P0352-386-00015	L578	Nozzle - 1.5 mm 2D	1
	PT347-0310X	P0352-386-00015	L30578	Nozzle - 1.5 mm 2D (10 pack)	10
	PT347-1018		L579	Nozzle - 1.8 mm 2D	1
	PT-347-1018X		L30579	Nozzle - 1.8 mm 2D (10 pack)	10
	PT347-0300	46713300300, P0352-387-00020	L580	Nozzle - 2.0 mm 2D	1
	PT347-0300X	46713300300, P0352-387-00020	L30580	Nozzle - 2.0 mm 2D (10 pack)	10
	PT347-0003	46713300300-25	L581	Nozzle - 2.5 mm 2D	1
	PT347-0003X	46713300300-25	L30581	Nozzle - 2.5 mm 2D (10 pack)	10
PT347-0006	46713300300-30	L582	Nozzle - 3.0 mm 2D	1	
PT347-0006X	46713300300-30	L30582	Nozzle - 3.0 mm 2D (10 pack)	10	
3	PT347-0320	46713300321, P0352-311-00001	AL160	Union nut - Vespel®	1


Consumables

	Centricut part number	Reference number	Alternate reference	Description	Pkg qty
1	PT347-4297	P0492-702-00001, 29100021	AL198	Outer body insulating ring	1
2	AM326-6453	71366453	AL94	Outer nozzle o-ring	1
3	PT347-0008	46713330200	AL218	Outer body isolating ring (Precitec)	1
4	PT347-0920	46713330920	AL221	Outer body isolating ring (Mazak)	1
5	PT347-350	46713330960	AL350	Inner cone isolating ring	1
6	PT347-349	46713330930	AL349	Inner sensor cone	1
7	PT347-0940	46713330940	AL353	Retaining ring	1
8	PT347-1240	46713331240	AL351	Torch outer body	1
9	PT347-1111	46713331111	AL354	Connector w/spring	1
10	PT347-9006	HNP-006		Connector cup - HNP	1
11	PT347-0009		AL256	Connector protector	1
12	PT347-0101	P0360-100-00500, 46713300100	AL204	Sensor cable 500 mm (OEM)	1
13	PT347-1386	281386, P0360-155-00500	AL257	Sensor cable - armored	1
14	PT347-0181	46743300181	AL358	Sensor cable 305 mm - armored (12'')	1
	PT347-3323 (not shown)	567123323A1		Nozzle body HNPZ	1

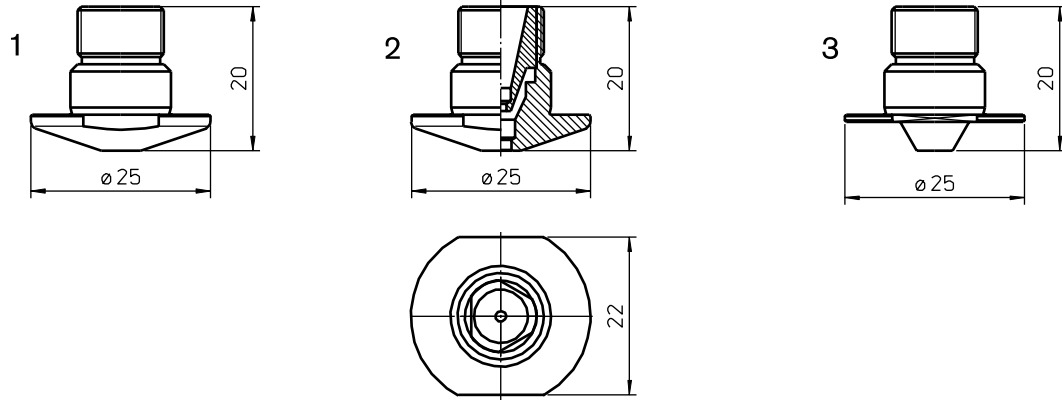

Consumables

	Centricut part number	Reference number	Alternate reference	Description	Pkg qty
1	PT347-1005	281005, P0352-323-00010	L480	Nozzle - 1.0 mm ZK	1
	PT347-1005X	281005, P0352-323-00010	L30480	Nozzle - 1.0 mm ZK (10 pack)	10
	PT347-1034	281034, P0352-324-00012	L481	Nozzle - 1.2 mm ZK	1
	PT347-1034X	281034, P0352-324-00012	L30481	Nozzle - 1.2 mm ZK (10 pack)	10
	PT347-1013	281013, P0352-325-00015	L482	Nozzle - 1.5 mm ZK	1
	PT347-1013X	281013, P0352-325-00015	L30482	Nozzle - 1.5 mm ZK (10 pack)	10
	PT347-0899	280899, P0352-326-00018	L483	Nozzle - 1.8 mm ZK	1
	PT347-0899X	280899, P0352-326-00018	L30483	Nozzle - 1.8 mm ZK (10 pack)	10
	PT347-0044-3	350044.3, P0352-327-00020	L484	Nozzle - 2.0 mm ZK	1
	PT347-0044X	350044.3, P0352-327-00020	L30484	Nozzle - 2.0 mm ZK (10 pack)	10
	PT347-1025	P0352-328-00025	L485	Nozzle - 2.5 mm ZK	1
	PT347-1025X	350044.3, P0352-328-00025	L30485	Nozzle - 2.5 mm ZK (10 pack)	10
2	PT347-1006	281006, P0352-333-00010	L486	Nozzle - 1.0 mm KK	1
	PT347-1006X	281006, P0352-333-00010	L30486	Nozzle - 1.0 mm KK (10 pack)	10
	PT347-1030	281030, P0352-334-00012	L487	Nozzle - 1.2 mm KK	1
	PT347-1030X	281030, P0352-334-00012	L30487	Nozzle - 1.2 mm KK (10 pack)	10
	PT347-1031	281031, P0352-335-00015	L488	Nozzle - 1.5 mm KK	1
	PT347-1031X	281031, P0352-335-00015	L30488	Nozzle - 1.5 mm KK (10 pack)	10
	PT347-0898	280898, P0352-336-00018	L489	Nozzle - 1.8 mm KK	1
	PT347-0898X	280898, P0352-336-00018	L30489	Nozzle - 1.8 mm KK (10 pack)	10
	PT347-1020	P0352-336-00020	L490	Nozzle - 2.0 mm KK	1
	PT347-1020X	P0352-336-00020	L30490	Nozzle - 2.0 mm KK (10 pack)	10

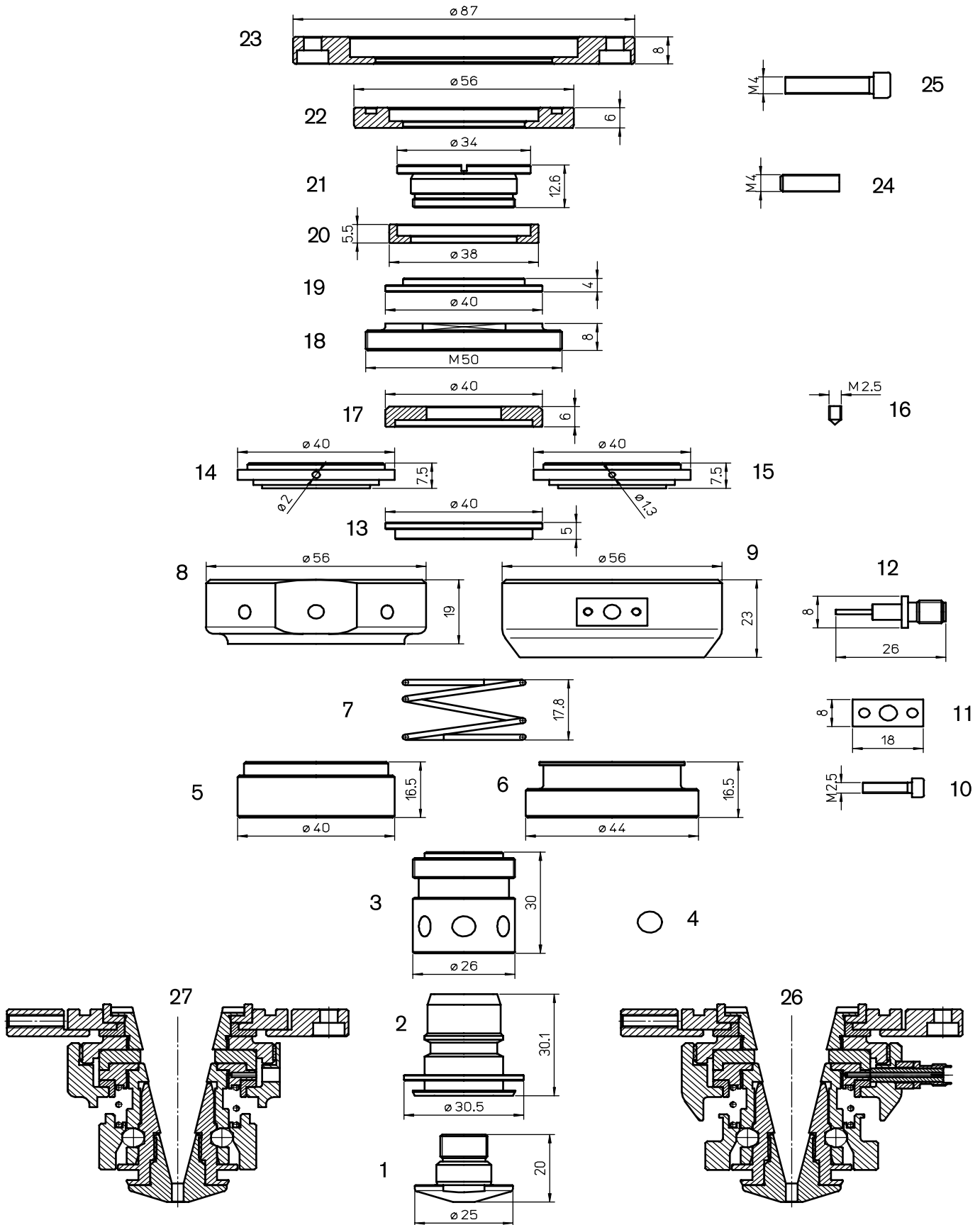

Consumables

	Centricut part number	Reference number	Alternate reference	Description	Pkg qty
1	MZ335-0004		L428	Nozzle - 1.0 mm	1
	MZ335-0011		L423	Nozzle - 1.2 mm	1
	MZ335-1950	46683301950	L429	Nozzle - 1.5 mm	1
	MZ335-1821	46683301821	L430	Nozzle - 2.0 mm	1
	MZ335-0112		L471	Nozzle - 2.2 mm	1
	MZ335-1960	46683301960	L431	Nozzle - 2.5 mm	1
	MZ335-1970	46683301970	L432	Nozzle - 3.0 mm	1
	MZ335-0006		L472	Nozzle - 3.5 mm	1
	MZ335-0013		L473	Nozzle - 4.0 mm	1
	MZ335-0014		L474	Nozzle - 4.5 mm	1
	MZ335-0004CP		L428X	Nozzle - 1.0 mm CP	1
	MZ335-0007CP		L423X	Nozzle - 1.2 mm CP	1
	MZ335-1950CP	46683301950	L429X	Nozzle - 1.5 mm CP	1
	MZ335-1821CP	46683301821	L430X	Nozzle - 2.0 mm CP	1
	MZ335-0012CP		L471X	Nozzle - 2.2 mm CP	1
	MZ335-1960CP	46683301960	L431X	Nozzle - 2.5 mm CP	1
	MZ335-1970CP	46683301970	L432X	Nozzle - 3.0 mm CP	1
	MZ335-0006CP		L472X	Nozzle - 3.5 mm CP	1
MZ335-0013CP		L473X	Nozzle - 4.0 mm CP	1	
MZ335-0014CP		L474X	Nozzle - 4.5 mm CP	1	
2	MZ360-0001	Centricut design	L850	Nozzle - 1.0 mm double	1
	MZ360-0002	Centricut design	L851	Nozzle - 1.2 mm double	1
	MZ360-0003	Centricut design	L852	Nozzle - 1.5 mm double	1
	MZ360-0004	Centricut design	L858	Nozzle - 1.8 mm double	1
	MZ360-0005	Centricut design	L853	Nozzle - 2.0 mm double	1
	MZ360-0006	Centricut design	L849	Nozzle - 2.2 mm double	1
	MZ360-0007	Centricut design	L854	Nozzle - 2.5 mm double	1
	MZ360-0008	Centricut design	L855	Nozzle - 3.0 mm double	1
	MZ360-0009	Centricut design	L856	Nozzle - 3.5 mm double	1
	MZ360-0001CP	Centricut design	L850X	Nozzle - 1.0 mm double CP	1
	MZ360-0002CP	Centricut design	L851X	Nozzle - 1.2 mm double CP	1
	MZ360-0003CP	46683302420	L852X	Nozzle - 1.5 mm double CP	1
	MZ360-0004CP	Centricut design	L858X	Nozzle - 1.8 mm double CP	1
	MZ360-0005CP	46683302430	L853X	Nozzle - 2.0 mm double CP	1
	MZ360-0006CP	Centricut design	L849X	Nozzle - 2.2 mm double CP	1
	MZ360-0007CP	46683302440	L854X	Nozzle - 2.5 mm double CP	1
	MZ360-0008CP	46683302450	L855X	Nozzle - 3.0 mm double CP	1
	MZ360-0009CP	Centricut design	L856X	Nozzle - 3.5 mm double CP	1

Centricut is not affiliated with the named manufacturers. Reference to machines, parts, descriptions, and model numbers are for convenience in verifying compatibility only. All parts are made by or for Centricut and are not made by the referenced manufacturers (unless expressly indicated). Centricut is a registered trademark of Hypertherm, Inc. All other trademarks are the properties of their respective owners.


Consumables

	Centricut part number	Reference number	Alternate reference	Description	Pkg qty
1	MZ368-0018CP		L949X	Nozzle - 0.8 mm CP	1
	MZ368-4430CP		L941X	Nozzle - 1.0 mm CP	1
	MZ368-4470CP	46143304470	L942X	Nozzle - 1.2 mm CP	1
	MZ368-4450CP	46143304450	L943X	Nozzle - 1.5 mm CP	1
	MZ368-4455CP		L950X	Nozzle - 1.8 mm CP	1
	MZ368-4460CP	46143304460	L944X	Nozzle - 2.0 mm CP	1
	MZ368-4480CP	46143304480	L945X	Nozzle - 2.5 mm CP	1
	MZ368-4490CP	46143304490	L946X	Nozzle - 3.0 mm CP	1
	MZ368-4500CP	46143304500	L947X	Nozzle - 3.5 mm CP	1
	MZ368-4510CP	46143304510	L948X	Nozzle - 4.0 mm CP	1
2	MZ373-0001		L952X	Nozzle - 1.2 mm double CP	1
	MZ368-0005CP		L953X	Nozzle - 1.5 mm double CP	1
	MZ373-0003		L954X	Nozzle - 2.0 mm double CP	1
	MZ373-0004		L955X	Nozzle - 2.5 mm double CP	1
	MZ373-0005		L956X	Nozzle - 3.0 mm double CP	1
	MZ373-0006		L957X	Nozzle - 3.5 mm double CP	1
	MZ373-0007		L958X	Nozzle - 4.0 mm double CP	1
	3	MZ427-0001		L1264	Nozzle - 1.0 mm
MZ427-0002			L1265	Nozzle - 1.2 mm	1
MZ427-0003			L1266	Nozzle - 1.5 mm	1
MZ427-0004			L1267	Nozzle - 2.0 mm	1
MZ427-0005			L1268	Nozzle - 3.0 mm	1

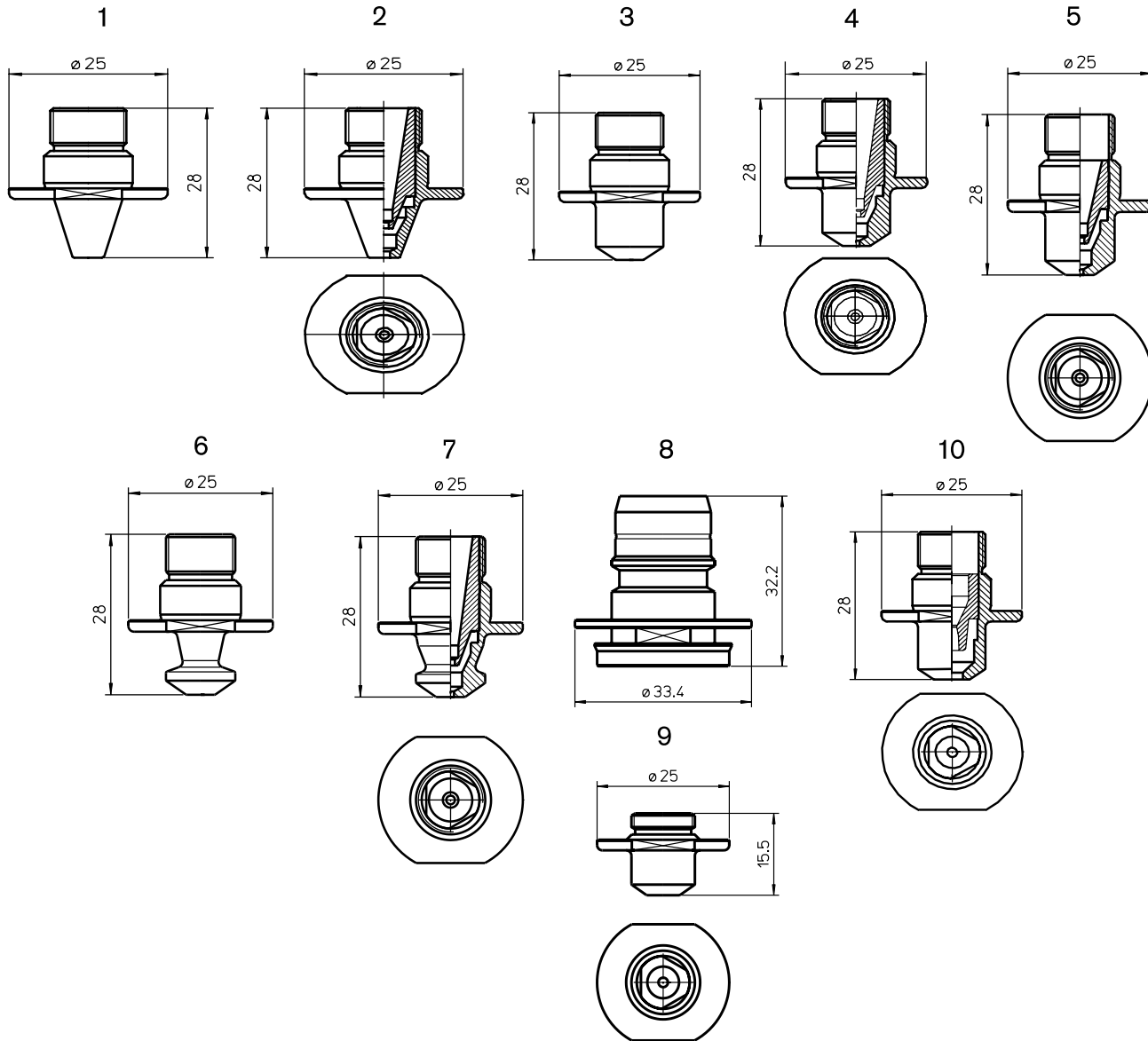


Centricut is not affiliated with the named manufacturers. Reference to machines, parts, descriptions, and model numbers are for convenience in verifying compatibility only. All parts are made by or for Centricut and are not made by the referenced manufacturers (unless expressly indicated). Centricut is a registered trademark of Hypertherm, Inc. All other trademarks are the properties of their respective owners.

Consumables

	Centricut part number	Reference number	Alternate reference	Description	Pkg qty
1	Please refer to the Mazak® nozzle section				
2	MZ368-0001	36143304420	AL242	Nozzle holder Hyper Gear	1
3	MZ413-4400	36143304400	AL291	Coupler	1
4	MZ413-0230	46143300230	AL311	Replacement ball kit (6 pcs)	1
5	MZ413-4430	46143304430	AL292	Spring retainer	1
6	MZ413-8000	46143308000	AL314	Spring retainer – steel	1
7	MZ413-0220	46143300220	AL289	Spring	1
8	MZ413-3242	36143303242	AL293	Body	1
9	MZ413-7980	36143307980	AL313	Aluminium body	1
10	MZ413-0030	46603300030	AL317	Screw	1
11	MZ413-8170	46143308170	AL318	Spacer	1
12	MZ413-8190	46143308190	AL315	Connector	1
13	MZ408-0240	46143300240	AL284	Insulator – ceramic	1
	MZ413-0240	46143300240	AL384	Insulator – PTFE*	1
14	MZ413-4250	46143304250	AL287	Retainer nut	1
15	MZ413-7420	46143307420	AL295	Retainer nut	1
16	MZ413-1180	46683301180	AL322	Screw	1
17	MZ408-4440	46143304440	AL290	Insulator – ceramic	1
	MZ413-4440	46143304440	AL390	Insulator – PTFE*	1
18	MZ413-0290	46143300290	AL294	Retainer nut	1
19	MZ408-0260	46143300260	AL285	Insulator – ceramic	1
	MZ413-0260	46143300260	AL385	Insulator – PTFE*	1
20	MZ408-0270	46143300270	AL286	Insulator – ceramic	1
	MZ413-0270	46143300270	AL386	Insulator – PTFE*	1
21	MZ413-0280	46143300280	AL288	Retainer nut	1
22	MZ413-0320	46143300320	AL316	Ring – brass	1
23	MZ413-0332	36143300332	AL320	Ring – aluminum	1
24	MZ413-0010		AL321	Screw (4 pcs)	1
25	MZ413-0200	A06CB040200	AL319	Set screw (4 pcs)	1
26	MZ413-0001		TMA50/C	Complete head (ceramic spacer)	1
27	MZ413-0002		TMA40/C	Complete head (ceramic spacer)	1

*PolyTetraFluoroEthylene is a fluorocarbon-based polymer and is commonly abbreviated PTFE. The Teflon® brand of PTFE is manufactured only by DuPont and is not sold by Hypertherm. Hypertherm purchases other brands of PTFE from various high quality manufacturers.

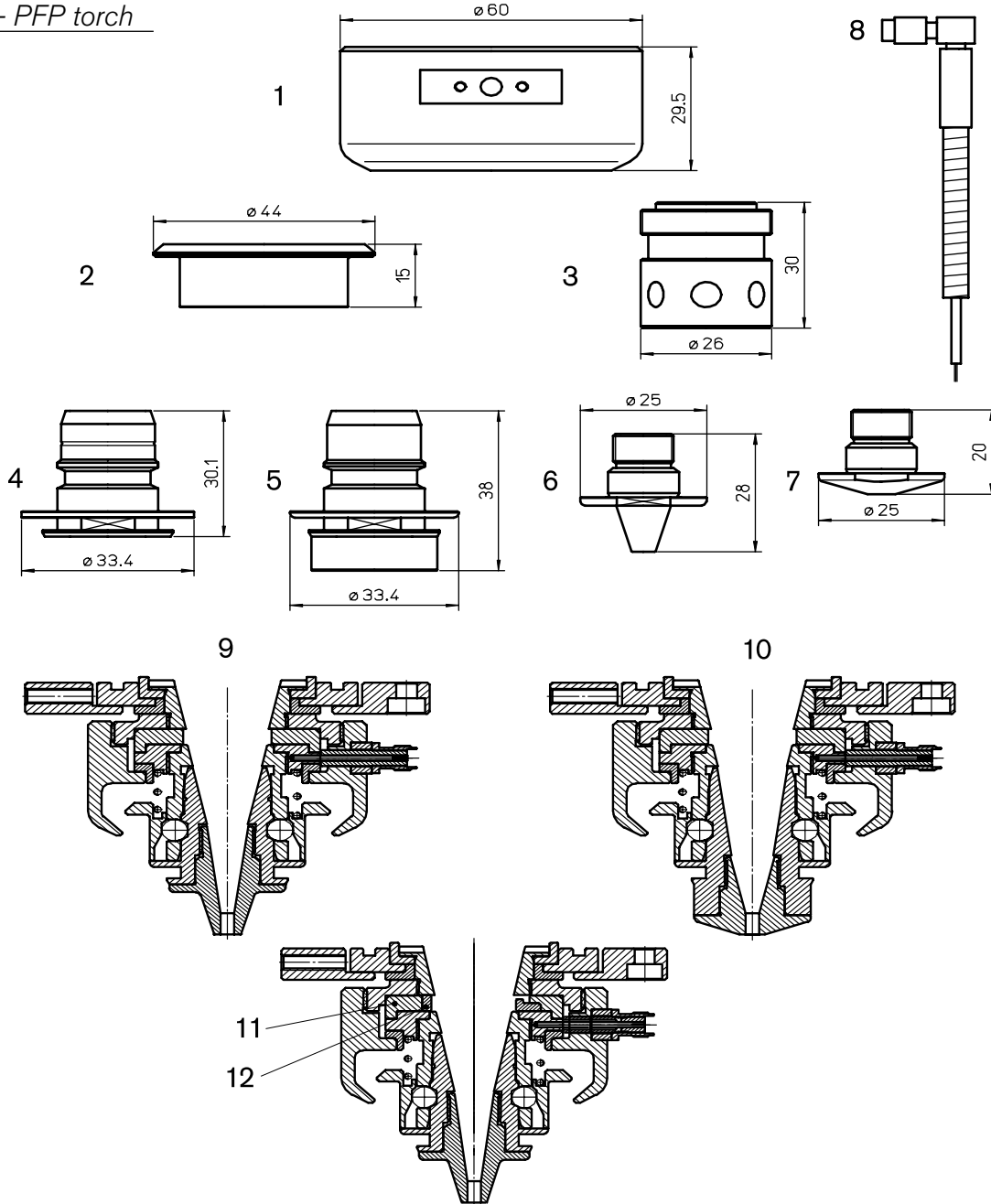

Consumables

	Centricut part number	Reference number	Alternate reference	Description	Pkg qty
1	MZ373-0308CP		L1379X	Nozzle - 0.8 mm slim CP	1
	MZ373-0310CP		L1380X	Nozzle - 1.0 mm slim CP	1
	MZ373-0341CP	46143310341, 46143310342	L1381X	Nozzle - 1.2 mm slim CP	1
	MZ373-0351CP	46143310351, 46143310352	L1382X	Nozzle - 1.5 mm slim CP	1
	MZ373-0318CP		L1389X	Nozzle - 1.8 mm slim CP	1
	MZ373-0361CP	46143310361, 46143310362	L1383X	Nozzle - 2.0 mm slim CP	1
	MZ373-0365CP		L1388X	Nozzle - 2.2 mm slim CP	1
	MZ373-0371CP	46143310371, 46143310372	L1384X	Nozzle - 2.5 mm slim CP	1
	MZ373-0381CP	46143310381, 46143310382	L1385X	Nozzle - 3.0 mm slim CP	1
	MZ373-0391CP	46143310391, 46143310392	L1386X	Nozzle - 3.5 mm slim CP	1
	MZ373-0401CP	46143310401, 46143310402	L1387X	Nozzle - 4.0 mm slim CP	1

Consumables

	Centricut part number	Reference number	Alternate reference	Description	Pkg qty
2	MZ373-0300CP		L1390X	Nozzle - 0.8 mm slim double CP	1
	MZ373-0311CP		L1391X	Nozzle - 1.0 mm slim double CP	1
	MZ373-0312CP		L1399X	Nozzle - 1.2 mm slim double CP	1
	MZ373-0315CP	36143311500	L1392X	Nozzle - 1.5 mm slim double CP	1
	MZ373-0319CP		L1400X	Nozzle - 1.8 mm slim double CP	1
	MZ373-0320CP	36143311510	L1393X	Nozzle - 2.0 mm slim double CP	1
	MZ373-0322CP		L1398X	Nozzle - 2.2 mm slim double CP	1
	MZ373-0325CP	36143311520	L1394X	Nozzle - 2.5 mm slim double CP	1
	MZ373-0330CP	36143311530	L1395X	Nozzle - 3.0 mm slim double CP	1
	MZ373-0335CP		L1396X	Nozzle - 3.5 mm slim double CP	1
	MZ373-0340CP	36143312390	L1397X	Nozzle - 4.0 mm slim double CP	1
	MZ373-0345CP		L1511X	Nozzle - 4.5 mm slim double CP	1
MZ373-0350CP		L1512X	Nozzle - 5.0 mm slim double CP	1	
3	MZ373-1580		L1580X	Nozzle - 0.8 mm (Pencil) CP	1
	MZ373-1581		L1581X	Nozzle - 1.0 mm (Pencil) CP	1
	MZ373-1582	36143312220	L1582X	Nozzle - 1.2 mm (Pencil) CP	1
	MZ373-1583	36143312230	L1583X	Nozzle - 1.5 mm (Pencil) CP	1
	MZ373-1584		L1584X	Nozzle - 1.8 mm (Pencil) CP	1
	MZ373-1585	361433122240	L1585X	Nozzle - 2.0 mm (Pencil) CP	1
	MZ373-1586		L1586X	Nozzle - 2.2 mm (Pencil) CP	1
	MZ373-1587	36143312250	L1587X	Nozzle - 2.5 mm (Pencil) CP	1
	MZ373-1588	36143312260	L1588X	Nozzle - 3.0 mm (Pencil) CP	1
	MZ373-1589	36143312270	L1589X	Nozzle - 3.5 mm (Pencil) CP	1
	MZ373-1590	36143312280	L1590X	Nozzle - 4.0 mm (Pencil) CP	1
	MZ373-1591	NEW 06143355590	L1591X	Nozzle - 4.5 mm (Pencil) CP	1
MZ373-1592	NEW 06283301030	L1592X	Nozzle - 5.0 mm (Pencil) CP	1	
MZ373-1593	NEW 06283301830	L1593X	Nozzle - 5.5 mm (Pencil) CP	1	
4	MZ373-1600		L1600X	Nozzle - 0.8 mm double (Pencil) CP	1
	MZ373-1601		L1601X	Nozzle - 1.0 mm double (Pencil) CP	1
	MZ373-1602		L1602X	Nozzle - 1.2 mm double (Pencil) CP	1
	MZ373-1603	36143312300	L1603X	Nozzle - 1.5 mm double (Pencil) CP	1
	MZ373-1604		L1604X	Nozzle - 1.8 mm double (Pencil) CP	1
	MZ373-1605	36143312311	L1605X	Nozzle - 2.0 mm double (Pencil) CP	1
	MZ373-1606		L1606X	Nozzle - 2.2 mm double (Pencil) CP	1
	MZ373-1607	36143312320	L1607X	Nozzle - 2.5 mm double (Pencil) CP	1
	MZ373-1608	36143312330	L1608X	Nozzle - 3.0 mm double (Pencil) CP	1
	MZ373-1609	36143312340	L1609X	Nozzle - 3.5 mm double (Pencil) CP	1
	MZ373-1610	36143312350	L1610X	Nozzle - 4.0 mm double (Pencil) CP	1
	MZ373-1611	Q6143312360	L1611X	Nozzle - 4.5 mm double (Pencil) CP	1
MZ373-1612	Q6143312370	L1612X	Nozzle - 5.0 mm double (Pencil) CP	1	
5	MZ373-1614	NEW Q6260700010	L1614X	Nozzle - 4.0 mm - 1.2 mm double (Pencil) CP	1
	MZ373-1615	NEW 06143355360	L1615X	Nozzle - 4.0 mm - 1.4 mm double (Pencil) CP	1
	MZ373-1616	NEW 06143355370	L1616X	Nozzle - 4.0 mm - 1.8 mm double (Pencil) CP	1
	MZ373-1617	NEW 06283301050	L1617X	Nozzle - 4.5 mm - 1.2 mm double (Pencil) CP	1
	MZ373-1618	NEW 06283301200	L1618X	Nozzle - 5.0 mm - 1.2 mm double (Pencil) CP	1
	MZ373-1619	NEW	L1619X	Nozzle - 5.5 mm - 1.2 mm double (Pencil) CP	1
MZ373-1686	NEW 06283301840	L1686X	Nozzle - 5.5 mm - 2.0 mm double (Pencil) CP	1	
6	MZ373-1790	NEW 06283301790	L1816X	Nozzle - 1.0 mm (Pencil) CP	1
	MZ373-1800	NEW 06283301800	L1817X	Nozzle - 1.2 mm (Pencil) CP	1
	MZ373-1810	NEW 06283301810	L1818X	Nozzle - 1.5 mm (Pencil) CP	1
7	MZ373-1820	NEW 06283301820	L1829X	Nozzle - 1.5 mm double (Pencil) CP	1
8	MZ373-0465	NEW	AL465	Nozzle holder	1
9	MZ373-0030	NEW Q6283300030	L1890	Nozzle - 6.0 mm double smooth	1
	MZ373-0020	NEW Q6283300020	L1891	Nozzle - 7.5 mm double smooth	1
	MZ373-0010	NEW Q6283300010	L1892	Nozzle - 9.5 mm double smooth	1
10	MZ373-1571		L1571X	Nozzle - 3.0 mm double SUS (Pencil) CP	1
	MZ373-1572	NEW	L1572X	Nozzle - 3.5 mm double SUS (Pencil) CP	1
	MZ373-1573		L1573X	Nozzle - 4.0 mm double SUS (Pencil) CP	1
	MZ373-1574		L1574X	Nozzle - 4.5 mm double SUS (Pencil) CP	1
	MZ373-1575		L1575X	Nozzle - 5.0 mm double SUS (Pencil) CP	1

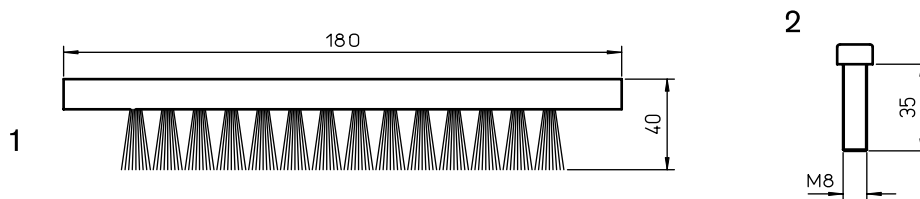
HyperGear – PFP torch



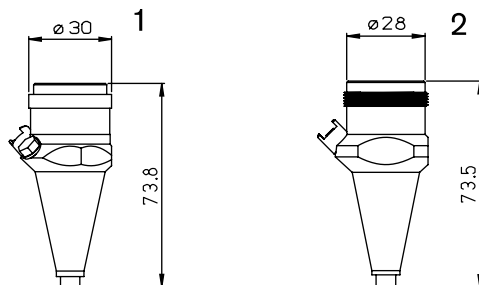
Consumables

	Centricut part number	Reference number	Alternate reference	Description	Pkg qty
1	MZ368-0550	36143310550	AL365	Aluminum body	1
2	MZ368-0541	36143310541	AL366	Retainer spring - steel	1
3	MZ368-0530	36143310530	AL367	Coupler	1
4	MZ368-0522	36143310522	AL362	Nozzle holder large	1
5	MZ368-0740	36143310740	AL363	Nozzle holder long	1
6	Please refer to the Mazak® Slim nozzle section				
7	Please refer to the Mazak® nozzle section				
8	MZ335-8290	46143308290	AL368	Sensor cable - 75 mm	1
9	MZ368-0060	TMA60/C		Head w/ceramic spacer	1
10	MZ368-0070	TMA70/C		Head w/ceramic spacer	1
11/12	MZ368-2180	46143312180	AL463	Ceramic ring 23 x 4	1
	MZ368-2170	46143312170	AL464	PPS ring 40 x 6	1

Centricut is not affiliated with the named manufacturers. Reference to machines, parts, descriptions, and model numbers are for convenience in verifying compatibility only. All parts are made by or for Centricut and are not made by the referenced manufacturers (unless expressly indicated). Centricut is a registered trademark of Hypertherm, Inc. All other trademarks are the properties of their respective owners.


Accessories

	Centricut part number	Reference number	Alternate reference	Description	Pkg qty
1	MZ427-0006		AL301	Brush - w/screws 180x30x20	1
2	BY328-3884	333884	333884	Plastic screws (2 pcs)	2
	AM313-2023 (not shown)	71232023	71232023	Filter - vacuum pump	1

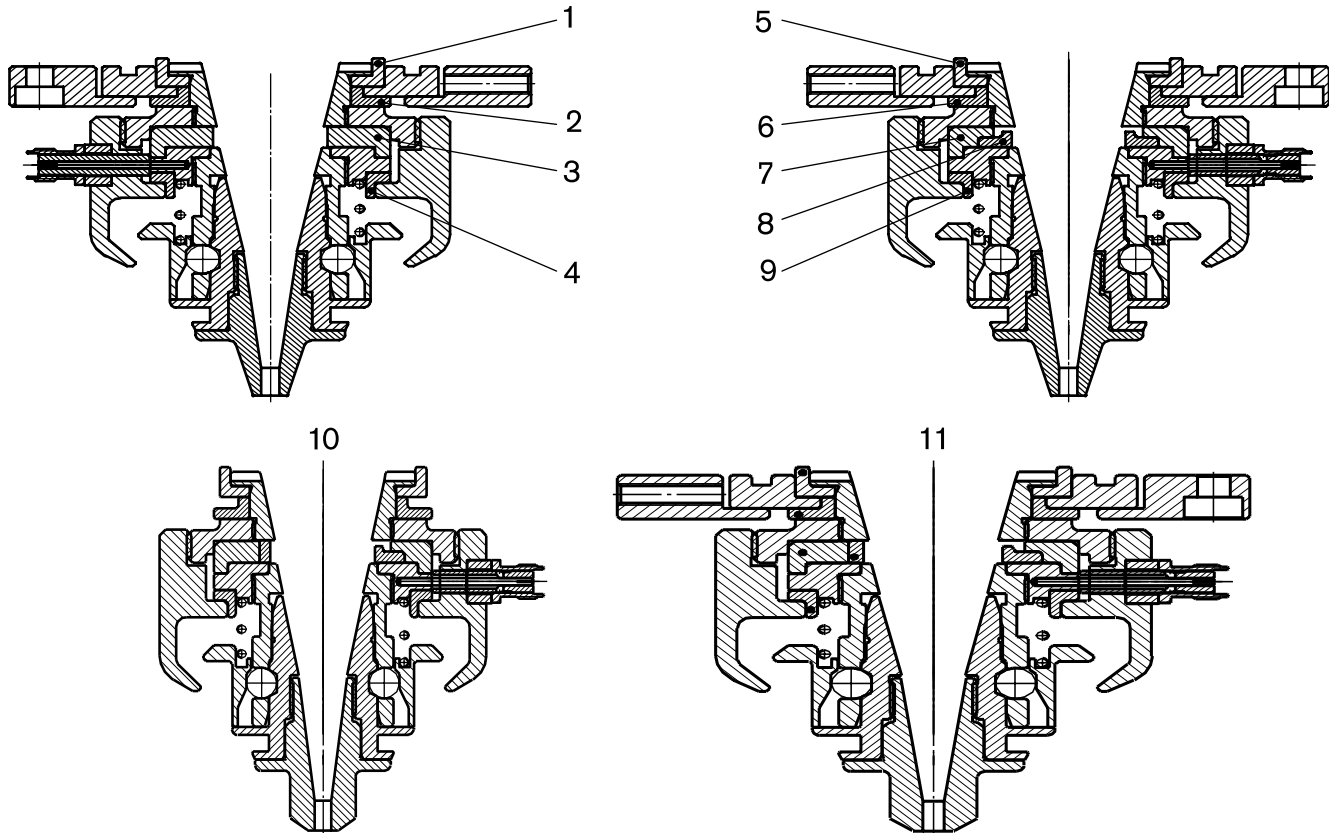


3


Consumables

	Centricut part number	Reference number	Alternate reference	Description	Pkg qty
1	PT999-HNZ	56743300500		Sensor repair HNZ	1
2	MZ999-HNPZ (HNP)	567123323A1		Sensor repair HNP	1
	MZ999-HNPS (not shown)	HNPS		Sensor repair - HNP (Short)	1
3	MZ335-1330A	46683301330		Sensor cable - armored 305 mm (12")	1
	MZ335-1980A	46683301980		Sensor cable - armored 280 mm (11")	1
	MZ335-0111A (not shown)	46743300111		Sensor cable - armored 280 mm (11")	1
	MZ335-0181A (not shown)	46743300181		Sensor cable - armored 317.5 mm (12.5")	1
	MZ335-5320 (not shown) NEW	6143355320		Sensor cable - armored 70 mm (2.75")	1
	MZ335-630A (not shown)			Sensor cable - armored 630 mm (25")	1
	MZ335-HNPS (not shown)	HNPS		Sensor cone - HNP short version	1

Sensor repairs available in select regions only.


Consumables

	Centricut part number	Reference number	Alternate reference	Description	Pkg qty
1	MZ408-0270	46143300270	AL286	H.G. Insulator ceramic 38 x 5.5	1
	MZ413-0270	46143300270	AL386	H.G. PTFE* insulator 38 x 5.5	1
2	MZ408-0260	46143300260	AL285	H.G. Ceramic insulator 40 x 4	1
	MZ413-0260	46143300260	AL385	H.G. PTFE* insulator 40 x 4	1
3	MZ408-4440	46143304440	AL290	H.G. Insulator ceramic 40 x 6	1
	MZ413-4440	46143304440	AL390	PTFE* insulator 40 x 6	1
4	MZ408-0240	46143300240	AL284	Ceramic insulator 40 x 5	1
	MZ413-0240	46143300240	AL384	H.G. PTFE* insulator 40 x 5	1
5	MZ368-2100	46143312100	AL486	Insulating ring PPS 38 x 5.5	1
6	MZ368-2130	46143312130	AL485	Insulating ring PPS 40 x 4	1
7	MZ368-2080	46143312080	AL490	Spacer PPS 40 x 6	1
8	MZ368-2090	46143312090	AL487	Ceramic ring 30 x 3	1
9	MZ368-2120	46143312120	AL484	Insulating ring PPS 40 x 5	1
10	MZ368-0085 NEW		TMA85	Head w/PPS spacer	1
11	MZ368-0080 NEW		TMA80	Head w/PPS spacer	1

*PolyTetraFluoroEthylene is a fluorocarbon-based polymer and is commonly abbreviated PTFE. The Teflon® brand of PTFE is manufactured only by DuPont and is not sold by Hypertherm. Hypertherm purchases other brands of PTFE from various high quality manufacturers.

Optics

Centricut part number	Reference number	Type	Diameter	Focal length	Edge thickness
Lenses					
MZ315-0130	Z50MB000130	PLX	1.5"	5.0"	.118"
MZ315-0160	Z50MB000160	PLX	1.5"	5.0"	.236"
MZ315-0400	Z50MB000400	PLX	1.5"	5.0"	.300"
MZ315-2155	702155	PLX	1.5"	9.5"	.1575"
MZ315-5980	145980	PLX	2.0"	5.0"	.300"
MZ315-5160	Z50ZZ005160	PLX	2.0"	5.0"	.310"
MZ315-0516A	Z50ZZ005160A	PLX	2.0"	5.0"	.380"
MZ315-0520A	Z50ZZ00520A	PLX	2.0"	7.5"	.380"
MZ315-0480	Z50ZZ010480	PLX	2.0"	12"	.236"
MZ315-8148	938148	PLX	2.5"	7.5"	.380"
Ultra low absorption lenses					
MZ315-0160MP5	Z50MB000160	PLX	1.5"	5.0"	.236"
MZ315-0400MP5	Z50MB000400	PLX	1.5"	5.0"	.300"
MZ315-0520AMP5	Z50ZZ00520A	PLX	2.0"	7.5"	.380"

Centricut part number	Reference number	Type	Diameter	Edge thickness
Windows				
MZ315-5350	Z50SA015350, W495	FS	42.00 mm	9.00 mm

Optics care

Centricut part number	Reference number	Description	Pkg qty
TR300-6452	N/A	Lens cleaning paper, Tiffen – 50 piece	1
AM313-SC50	SC50	Lens cleaning paper, Tresor – 50 piece	1
TR300-1115		Lens cleaning pre-cut cotton – 80 piece	1
TR300-SC20		Cotton swab – 20 piece	1
TR300-1010	AL1010	Dropper, lens cleaning fluid	1
TR300-1112		Optical cleaning fluid	1
TR300-0699	70675699 REVA	Lens Cleaning Swabs (25 pack)	1
TR300-7991	027991	Polyester Wipes 4" x 4"	1
TR301-0282		Injector	1
TR300-LSA		Lens stress analyzer	1
TR300-255	AL255	Loupe, magnifying	1
TR300-271	AL271	Base, lens maintenance	1
TR300-7388	787388	Mirror polish (250 ml)	1
MZ427-0230		Wire – Indium .030" dia/6' length	1

Technical support

- Our technical service team can answer questions about any laser or plasma cutting system. Whether it's a question about a part, a system, or for guidance on how to optimize performance, our experts can help.
- We stand behind our products with industry-leading technical expertise
- OEM trained technicians on staff with over 25 years experience



**HELPING YOU
SHAPE THE WORLD.**



PLASMA | LASER | WATERJET | AUTOMATION | SOFTWARE | CONSUMABLES

For more information on Centricut laser products, visit
www.hypertherm.com/centricut/laser

Hypertherm, Centricut, SilverLine and CoolFlow are trademarks of Hypertherm Inc., and may be registered in the United States and/or other countries. All other trademarks are the property of their respective owners.

One of Hypertherm's long-standing core values is a focus on minimizing our impact on the environment. Doing so is critical to our, and our customers' success. We are always striving to become better environmental stewards; it is a process we care deeply about.

© 12/2016 Hypertherm Inc.



Hypertherm[®]
SHAPING POSSIBILITY™

